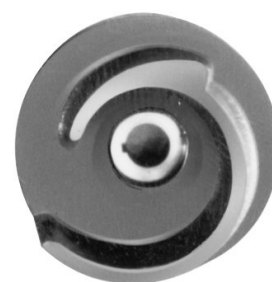


ZU3(4)/H/J

KAWAMOTO SUBMERSIBLE PUMP

2 POLES / 50 Hz

SIZE 50 ~ 80 MM.



CHANNEL IMPELLER



APPLICATIONS AND FEATURES

■ APPLICATIONS

- Sewage and wastewater with solids.

■ FEATURES

- This channel impellers provides excellent ability to pass Foreign objects.
- The pump is free from forming air pocket behind impeller.
- Equipped with a motor with built-in auto-cut to prevent Motor burnout.
- ZUJ type is equipped with a pedestal support for easy maintenance and inspection.
- Some model with output of 3.7 kW or less are available with a float switch. (automatic, auto alternate built-in)
- Applicable for high temperature with ZUH (HJ) type. Especially, ZUH (HJ) with 1.5~3.7kW models work for up to 90 °C

STANDARD SPECIFICATIONS

Description		Model: ZU3(4)/H/J
Applicable Liquid		Waste water, Filthy water and Other miscellaneous dirty water
Liquid Temperature		0 ~ 40 °C (ZUH(J) is applicable higher temp.)
pH		5~9
Material	Casing	Cast iron
	Impeller	Cast iron
	Shaft	Stainless Steel (SUS420J2)
Motor	Speed	3000 rpm
Construction	Impeller	Non clog Impeller
	Shaft seal	Double mechanical seal Pump: SiC x SiC Motor: Ceramics x Carbon
	Motor Bearing	Sealed ball bearing
Cable length		0.75kW: 6m 1.5~7.5kW: 10m
Maximum submergence		0.75kW: 5m 1.5~7.5kW: 8m

OPTIONAL SPECIFICATIONS

Cable extension	10m, 20m, 30m, 40m
For High temperature liquid	ZUH(J) 0.75kW: 0~70 °C ZUH(J) 1.5~3.7Kw: 0~90°C

CABLE

ZU3(4)/J

Output (kW)	Phase	Size (mm ²)	Core	Outer dia. (mm)	Length (m)
0.75	3	1.25	4	11	6
1.5	3	1.25	4	11	10
2.2	3	1.25	4	11	10
3.7	3	2	4	11.7	10
5.5	3	3.5	4	14	10
7.5	3	5.5	4	16.5	10

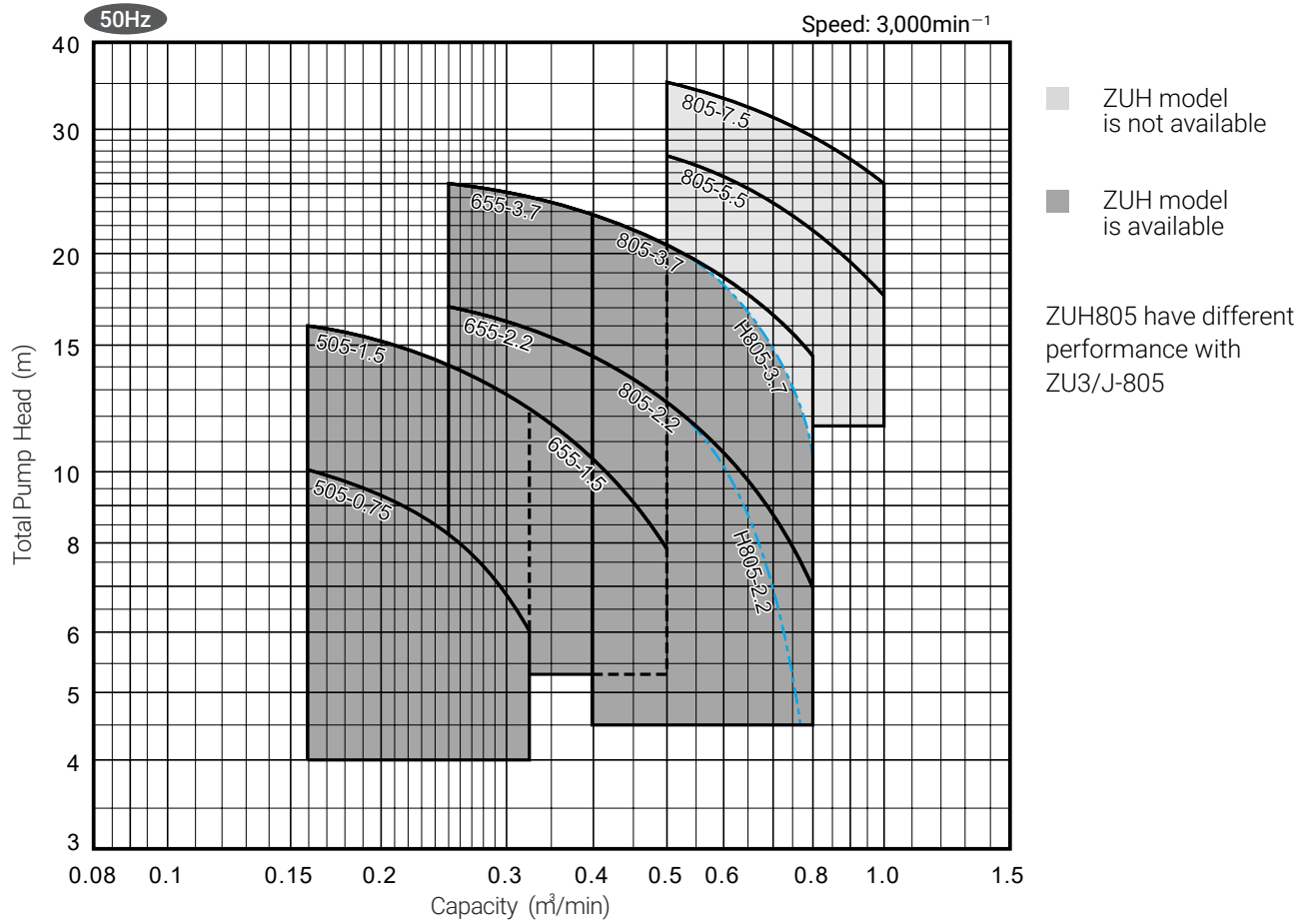
ZUH(J)

Output (kW)	Phase	Size (mm ²)	Core	Outer dia. (mm)	Length (m)
0.75	3	2	4	12.2	10
1.5	3	2	4	13.5	10
2.2	3	2	4	13.5	10
3.7	3	3.5	4	16.6	10

SOLID PASSAGE

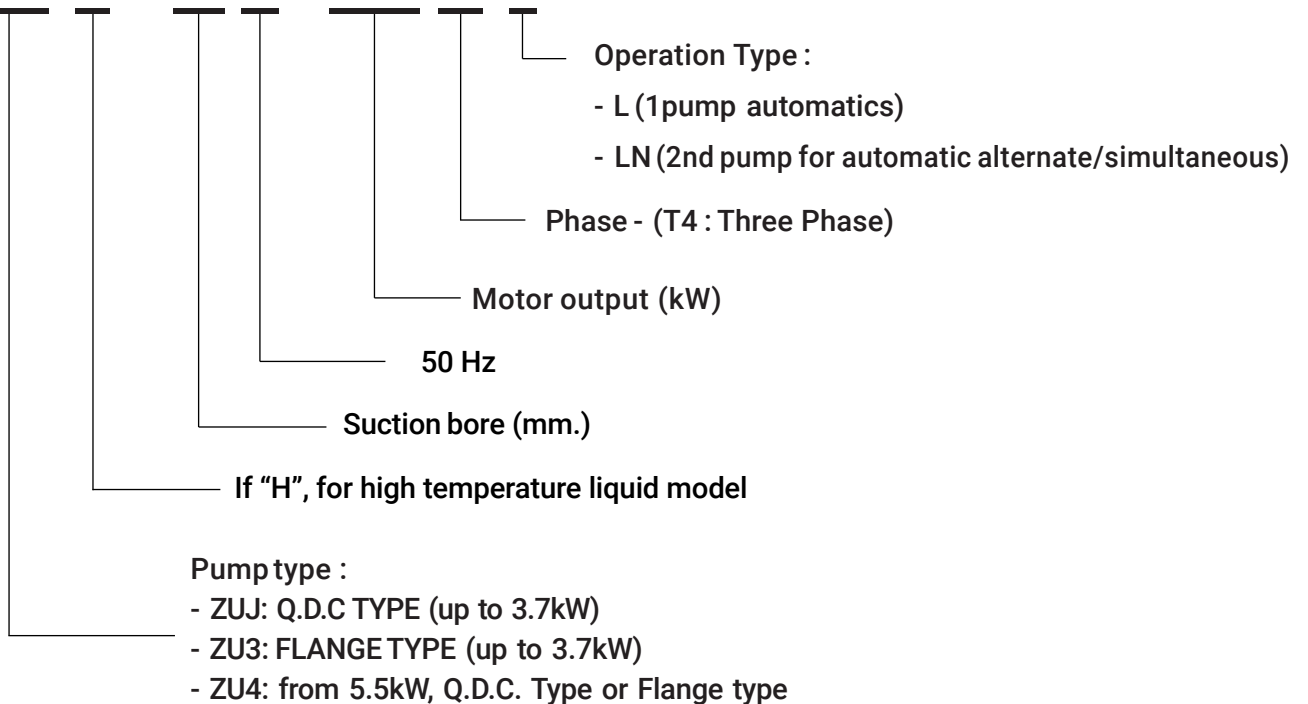
Pump Bore (mm)	Solid diameter (mm)	Clothes(mm)
50	35	200 x 200
65	35	300 x 300
80	40	300 x 450

PERFORMANCE CHART



MODEL CODE

ZUJ H - 50 5 - 0.75 T4 L

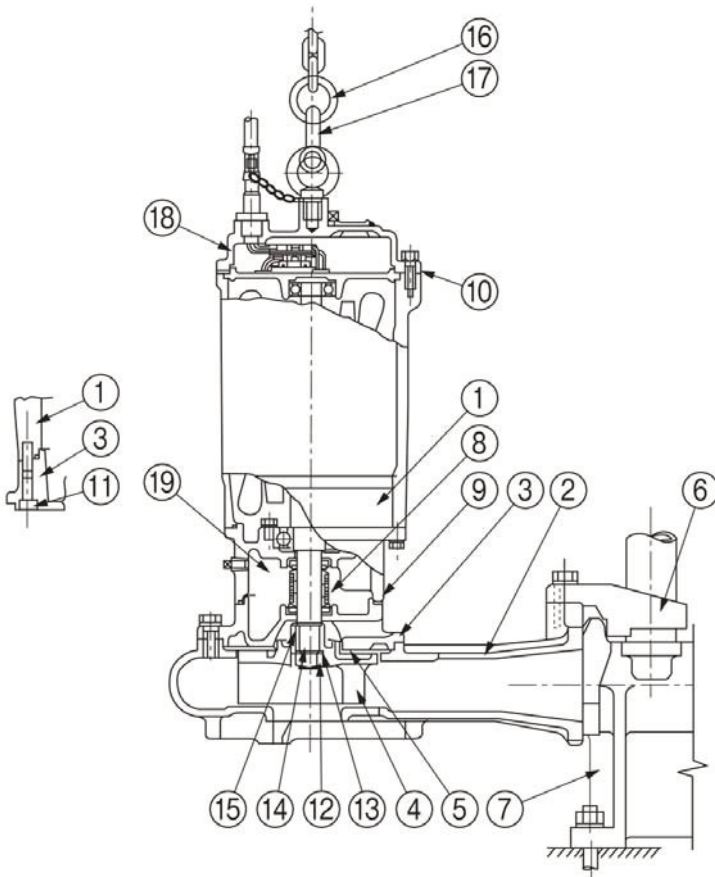


SPECIFICATION TABLE - ZU3(4)/J

No.	Bore (mm)	Model	Motor (kW)	Performance			
				Capacity (m ³ /min)	Total Head (m)	Capacity (m ³ /min)	Total Head (m)
1	50	ZUJ(3)-505- 0.75T4	0.75	0.16	10	0.32	6
2		ZUJ(3)- 505- 1.5T4	1.5	0.16	16	0.32	12.2
3	65	ZUJ(3)- 655- 1.5T4	1.5	0.25	13.8	0.5	7.8
4		ZUJ(3)-655- 2.2T4	2.2	0.25	17	0.5	12.2
5		ZUJ(3)-655- 3.7T4	3.7	0.25	25	0.5	20.5
6	80	ZUJ(3)-805- 2.2T4	2.2	0.4	14.2	0.8	6.8
7		ZUJ(3)-805- 3.7T4	3.7	0.4	22.5	0.8	14.2
8		ZU4-805-5.5T4	5.5	0.5	27.5	1	17.5
9		ZU4-805-7.5T4	7.5	0.5	35	1	25
10	50	ZUJ(3)-505- 0.75T4L(LN)	0.75	0.16	10	0.32	6
11		ZUJ(3)-505-1.5T4L(LN)	1.5	0.16	16	0.32	12.2
12	65	ZUJ(3)-655-1.5T4L(LN)	1.5	0.25	13.8	0.5	7.8
13		ZUJ(3)-655-2.2T4L(LN)	2.2	0.25	17	0.5	12.2
14		ZUJ(3)-655-3.7T4L(LN)	3.7	0.25	25	0.5	20.5
15	80	ZUJ(3)-805-2.2T4L(LN)	2.2	0.4	14.2	0.8	6.8
16		ZUJ(3)-805-3.7T4L(LN)	3.7	0.4	22.5	0.8	14.2

SECTION VIEW - ZU_{HJ}^J

ZU_{HJ}^J

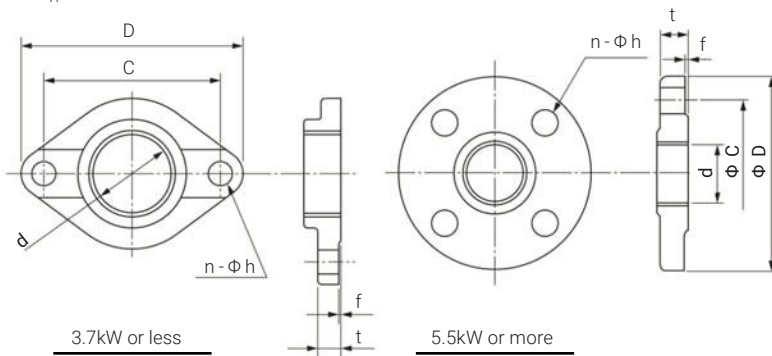


No.	Part Name	Material	Note
1	Motor	-	
2	Casing	Cast iron	
3	Casing cover	Cast iron	
4	Impeller	Cast iron	
5	Liner ring	Bronze	
6	Sliding bracket	FCD	
7	Connecting pipe with baseplate	Cast iron	
8	Mechanical seal	-	
9	O-Ring	Rubber	
10	Packing	Rubber	
11	Bolt	SUS304	
12	Nut	SUS304	
13	Washer	SUS304	
14	Key	SUS403	
15	Shim	SUS304	
16	Chain	Steel	
17	Shackle	Steel	
18	Motor cover	Cast iron	
19	Turbine oil	VG32	

* Shaft: SUS403

FLANGE DIMENSION

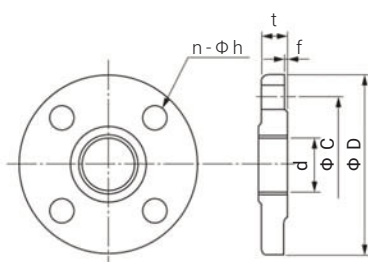
ZU_H³ ZU4



Unit:mm

Bore (mm)	d	C	D	t	f	n	h(Bolt)	Remark
50	Rc2	95	120	14	0	2	13 (M10)	0.75kW or less
	Rc2	120	150	16	0	2	15 (M12)	1.5kW
65	Rc2 1/2	120	150	16	0	2	15 (M12)	1.5kW or less
	Rc2 1/2	140	175	18	0	2	19 (M16)	2.2,3.7kW
80	Rc3	140	175	18	0	2	19 (M16)	2.2,3.7kW
	Rc3	150	185	18	2	8	15 (M12)	5.5,7.5kW

ZU_{HJ}^J

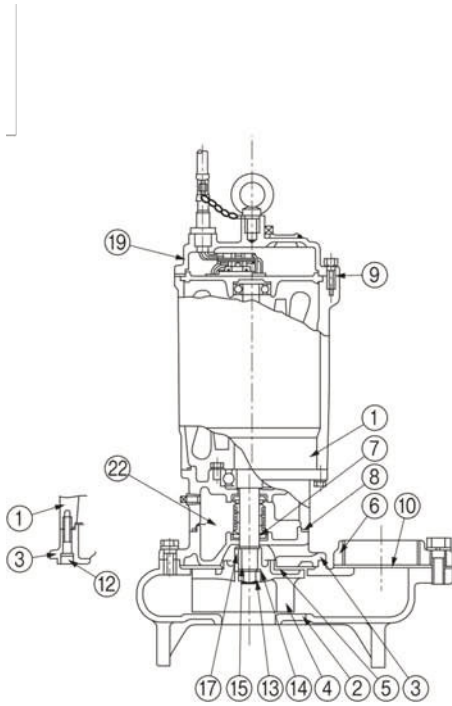


Unit:mm

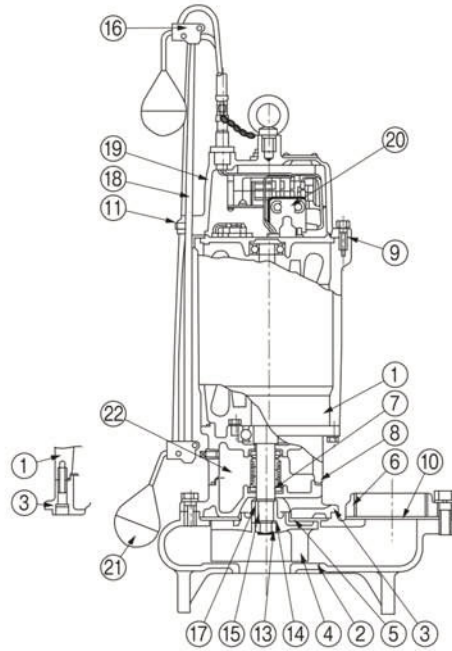
Bore (mm)	d	C	D	t	f	n	h(Bolt)
50	Rc2	120	155	18	2	4	15 (M12)
65	Rc2 1/2	140	175	18	2	4	15 (M12)
80	Rc3	150	185	18	2	8	15 (M12)

SECTION VIEW - ZU3

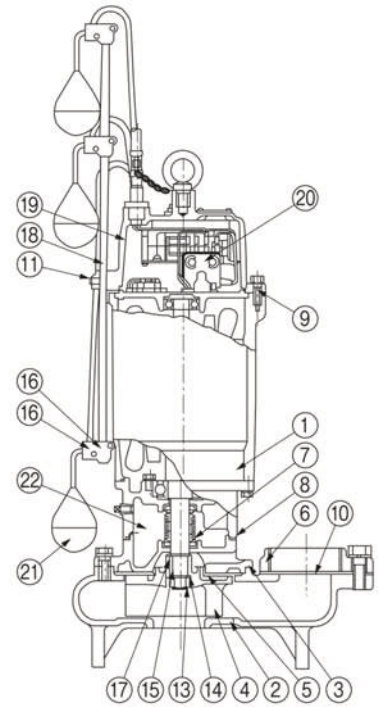
ZU3



ZU3-L



ZU3-LN



No.	Part Name	Material	Note	No.	Part Name	Material	Note
1	Motor	-		12	Bolt	SUS304	
2	Casing	Cast iron		13	Nut	SUS304	
3	Casing cover	Cast iron		14	Washer	SUS403	
4	Impeller	Cast iron		15	Key	SUS304	
5	Liner ring	Bronze		16	Clamp	Resin	
6	Flange	Cast iron		17	Shim	SUS403	
7	Mechanical seal	-		18	Rode	Resin	
8	O-Ring	Rubber		19	Motor cover	Cast iron	
9	Packing	Rubber		20	Magnetic switch	-	
10	Packing	Rubber		21	Float switch	-	
11	Screw	SUS304		22	Turbine oil	VG32	

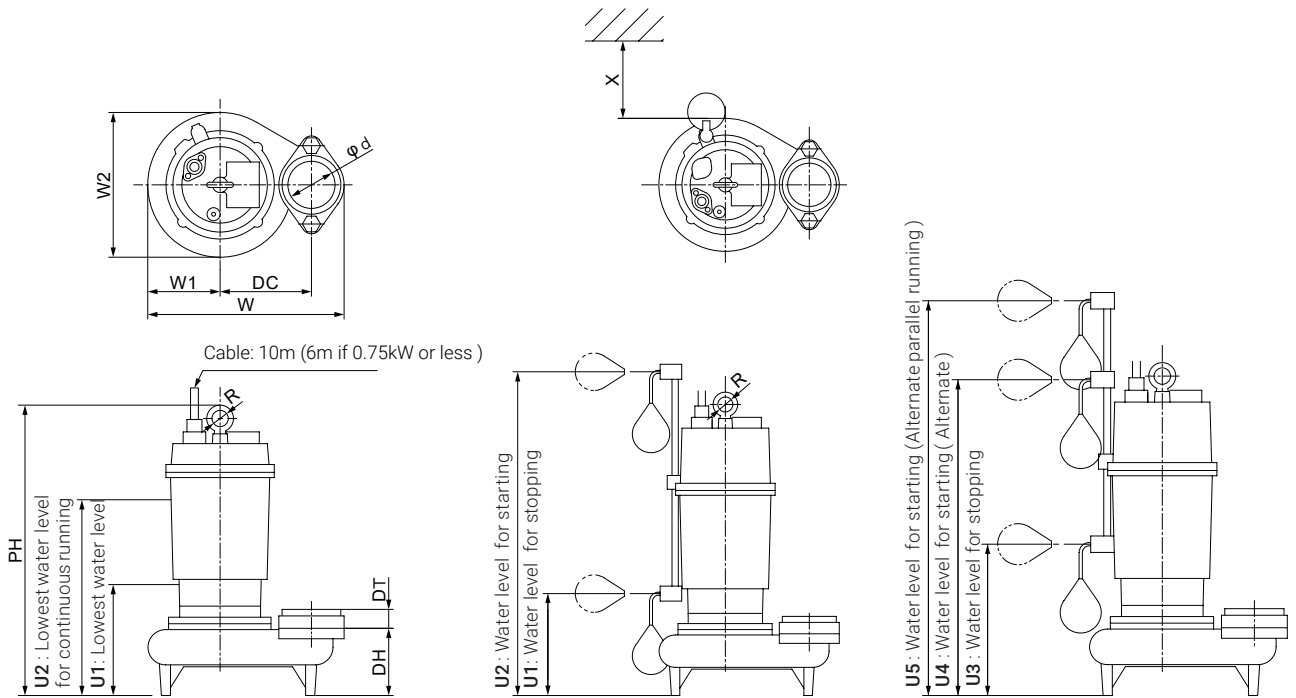
PUMP DIMENSION - ZU3(4)/H

ZU4 type has different casing figure

ZU_H³ ZU4

ZU3-L

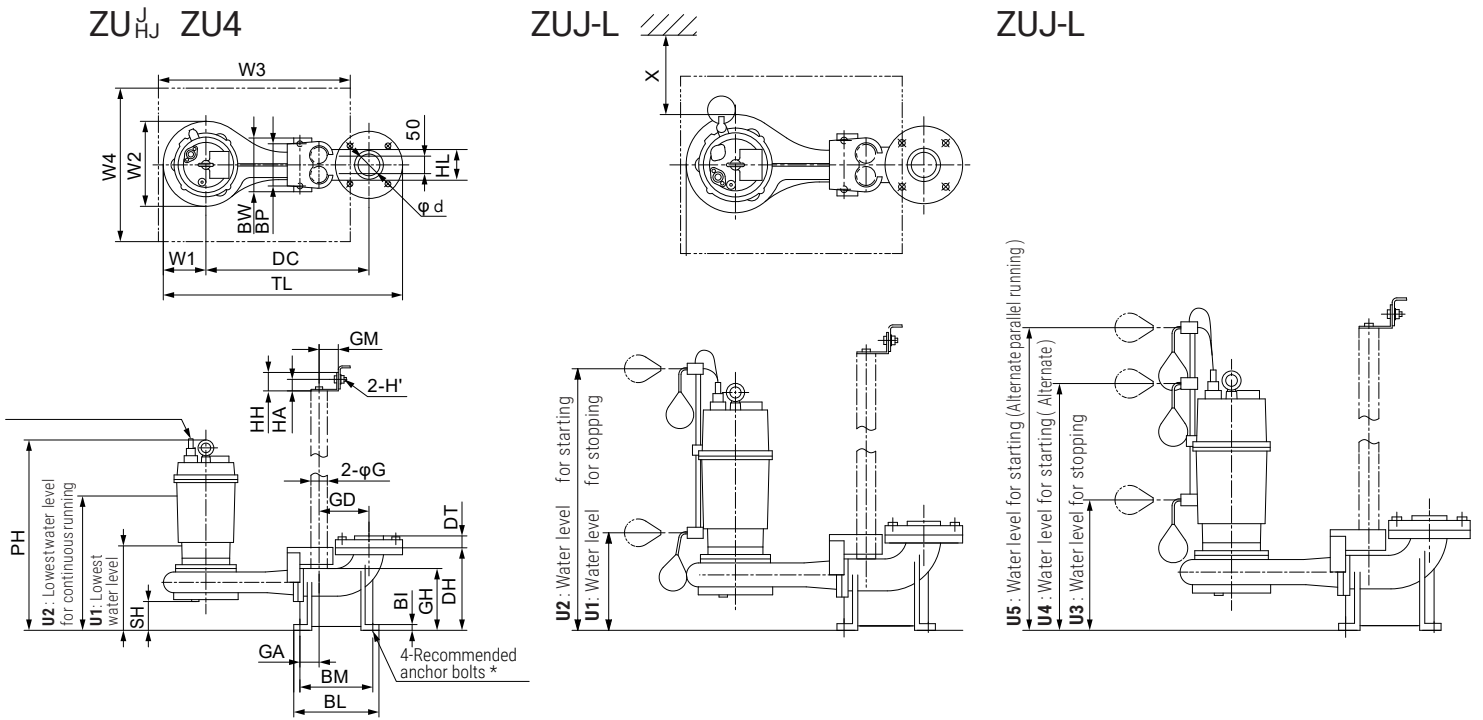
ZU4-L



Bore	Model	kW	PH	DH	DT	DC	W	W1	W2	U1	U2	U3	U4	U5	X	R	KG
50	ZU3(H)-505-0.75T4	0.75	397	98	27	120	254	95	190	140	250	-	-	-	-	25	21
	ZU3(H)-505-1.5T4	1.5	445	103	27	140	301	111	222	170	300	-	-	-	-	25	31
65	ZU3-655(H)-1.5T4	1.5	445	103	29	140	301	111	222	170	300	-	-	-	-	25	31
	ZU3-655(H)-2.2T4	2.2	592	117	29	160	352	134	268	200	430	-	-	-	-	30	49
	ZU3-655(H)-3.7T4	3.7	592	117	29	160	352	134	268	200	430	-	-	-	-	30	55
80	ZU3-805(H)-2.2T4	2.2	592	117	33	160	352	134	268	200	430	-	-	-	-	30	49
	ZU3-805(H)-3.7T4	3.7	592	117	33	160	352	134	268	200	430	-	-	-	-	30	55
	ZU4-805-5.5T4	5.5	669	224	33	285	523	145	294	240	490	-	-	-	-	30	80
	ZU4-805-7.5T4	7.5	669	224	33	285	523	145	294	240	490	-	-	-	-	30	86
50	ZU3-505-0.75T4L/LN	0.75	442	98	27	120	254	95	190	140	510	200	450	570	150	25	24.5
	ZU3-505-1.5T4L/LN	1.5	506	103	27	140	301	111	222	170	540	230	480	600	140	25	35
65	ZU3-655-1.5T4L/LN	1.5	506	103	29	140	301	111	222	170	540	230	480	600	140	25	35
	ZU3-655-2.2T4L/LN	2.2	647	117	29	160	352	134	268	200	720	270	650	790	125	30	53.5
	ZU3-655-3.7T4L/LN	3.7	647	117	29	160	352	134	268	200	720	270	650	790	125	30	59.5
80	ZU3-805-2.2T4L/LN	2.2	647	117	33	160	352	134	268	200	720	270	650	790	125	30	53.5
	ZU3-805-3.7T4L/LN	3.7	647	117	33	160	352	134	268	200	720	270	650	790	125	30	59.5

PUMP DIMENSION - ZU^J_{HJ} (4)

ZU4 type has different casing figure



Bore	Model	kW	PH	DH	DC	TL	W1	W2	U1	U2	U3	U4	U5	X	KG
50	ZUJ(H)-50S-0.75T4	0.75	482	65	345	518	95	190	180	290	-	-	-	-	33
	ZUJ(H)-50S-1.5T4	1.5	496	75	425	614	111	222	220	350	-	-	-	-	44
65	ZUJ(H)-65S-1.5T4	1.5	496	75	425	614	111	222	220	350	-	-	-	-	44
	ZUJ(H)-65S-2.2T4	2.2	660	95	495	717	134	268	270	500	-	-	-	-	67.5
	ZUJ(H)-65S-3.7T4	3.7	660	95	495	717	134	268	270	500	-	-	-	-	74.5
80	ZUJ(H)-80S-2.2T4	2.2	660	95	495	722	134	268	270	500	-	-	-	-	67.5
	ZUJ(H)-80S-3.7T4	3.7	660	95	495	722	134	268	270	500	-	-	-	-	74.5
	ZU4-80S-5.5T4	5.5	705	36	505	743	145	294	275	525	-	-	-	-	93
	ZU4-80S-7.5T4	7.5	705	36	505	743	145	294	275	525	-	-	-	-	99
50	ZUJ-50S-0.75T4L/LN	0.75	482	65	345	518	95	190	180	550	240	490	610	150	36.5
	ZUJ-50S-1.5T4L/LN	1.5	557	75	425	614	111	222	220	590	280	530	650	135	48
65	ZUJ-65S-1.5T4L/LN	1.5	557	75	425	624	111	222	220	590	280	530	650	135	48
	ZUJ-65S-2.2T4L/LN	2.2	715	95	495	717	134	268	270	790	340	720	860	125	72
	ZUJ-65S-3.7T4L/LN	3.7	715	95	495	717	134	268	270	790	340	720	860	125	78.5
80	ZUJ-80S-2.2T4L/LN	2.2	715	95	495	722	134	268	270	790	340	720	860	125	72
	ZUJ-80S-3.7T4L/LN	3.7	715	95	495	722	134	268	270	790	340	720	860	125	78.5

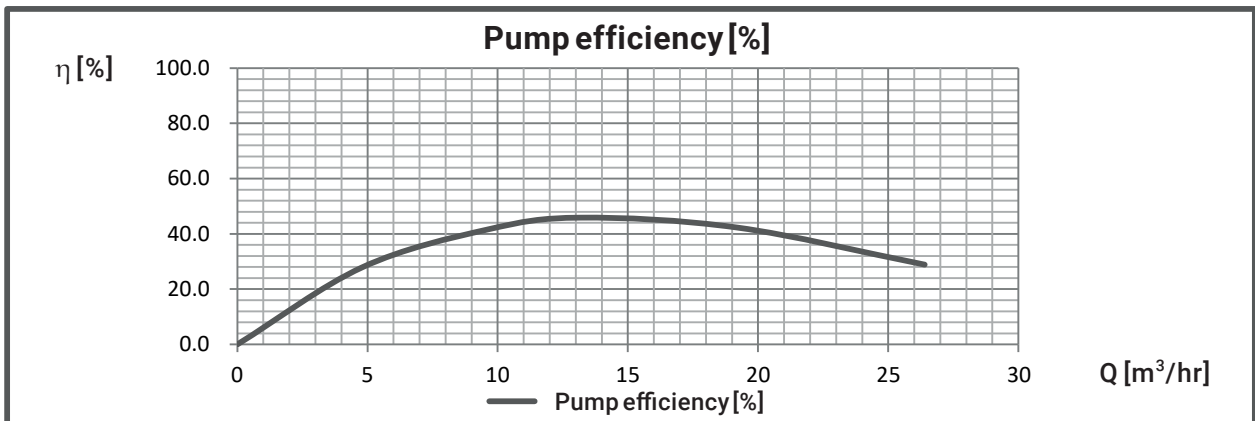
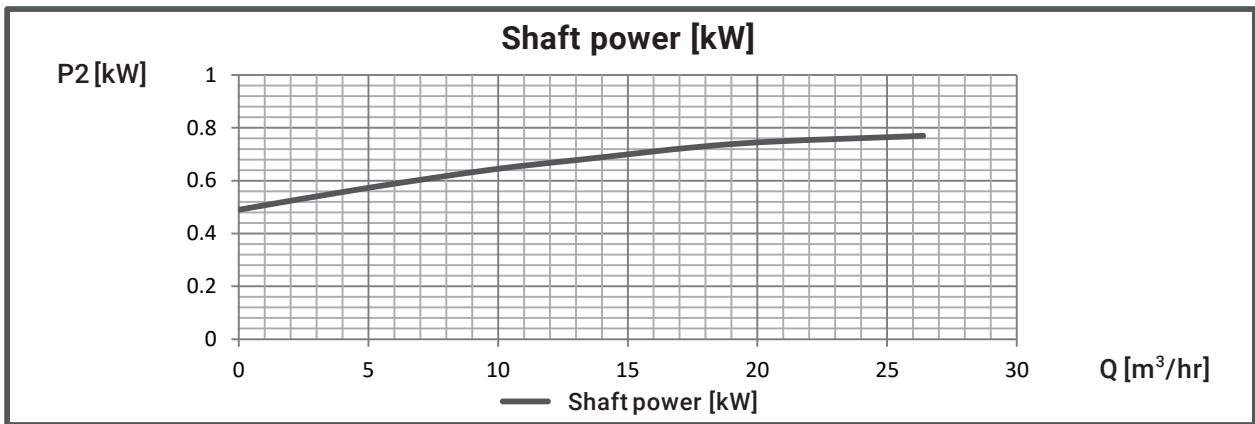
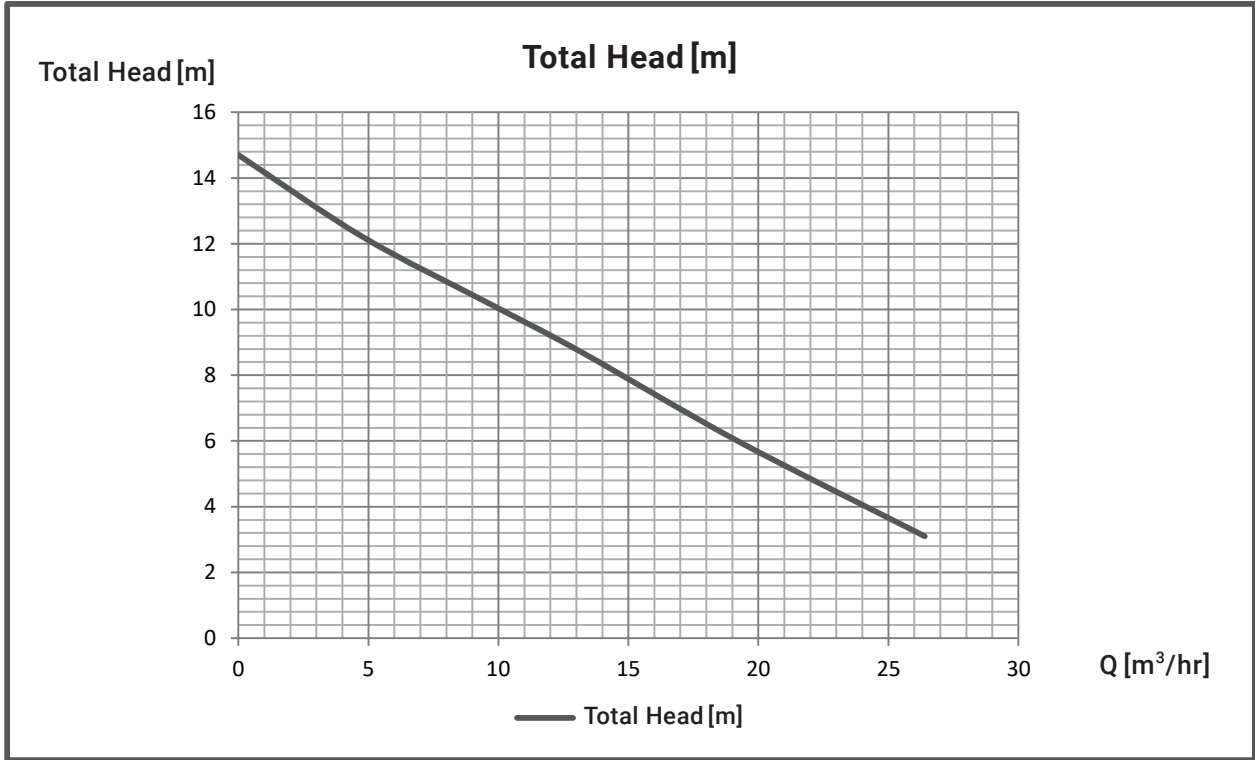
PEDESTAL SUPPORT MOUNT

Bore	Discharge connection								Guide					Support				Man hole		Remark
	d	DH	DT	BI	BL	BM	BP	BW	Bolts	GH	GA	GD	GM	G*	HH	HA	HL	H'	W3	
50	190	27	15	212	180	100	130	M12x160	141	50	120	50	32A	478	30	76	M10	500	400	0.75kW or less
	215	27	15	222	190	110	140	M12X160	161	50	130	50	32A	48	30	76	M10	500	400	1.5kW
65	215	31	15	222	190	110	140	M12X160	161	50	130	50	32A	48	30	76	M10	500	400	1.5kW
	250	31	18	246	210	130	166	M16X200	192	60	140	60	40A	60	35	85	M12	600	500	2.2, 3.7 kW
80	250	33	18	248	210	130	166	M16X200	192	60	140	60	40A	60	35	85	M12	600	500	2.2, 3.7 kW
	250	33	19	248	210	130	166	M16X200	192	60	140	60	40A	60	35	85	M12	800	400	5.5, 7.5kW

EXPECTED PERFORMANCE CURVE

MODEL : ZU3/H-505-0.75T4, ZUJ/HJ-505-0.75T4

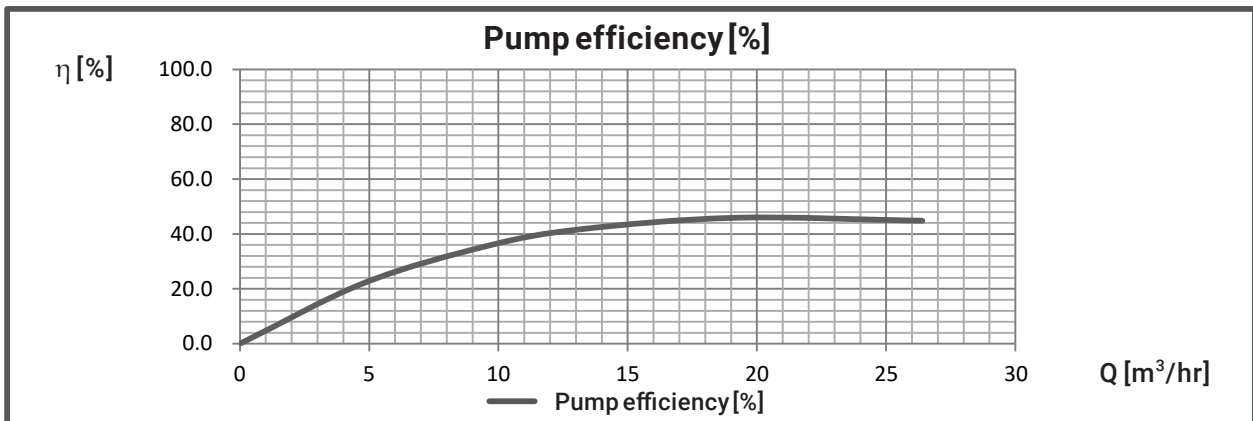
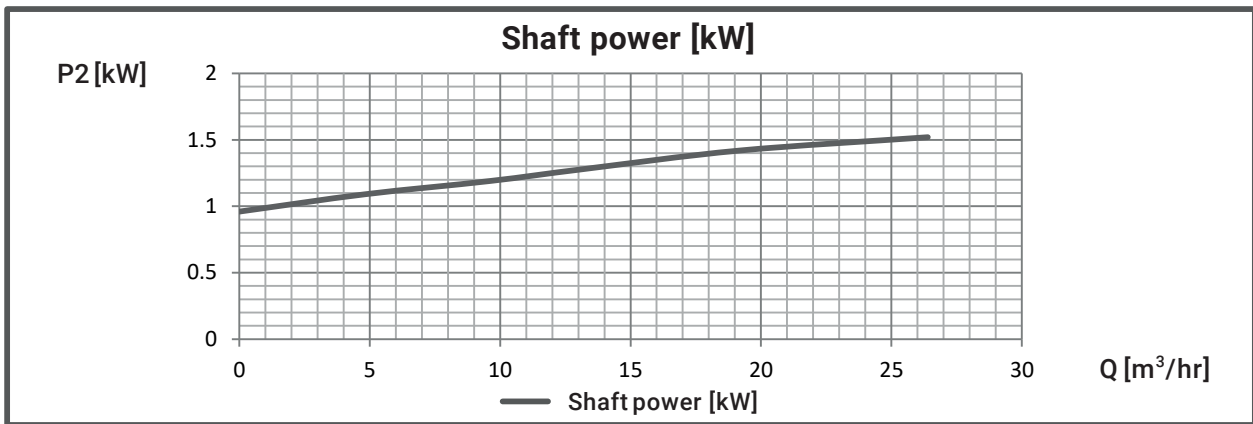
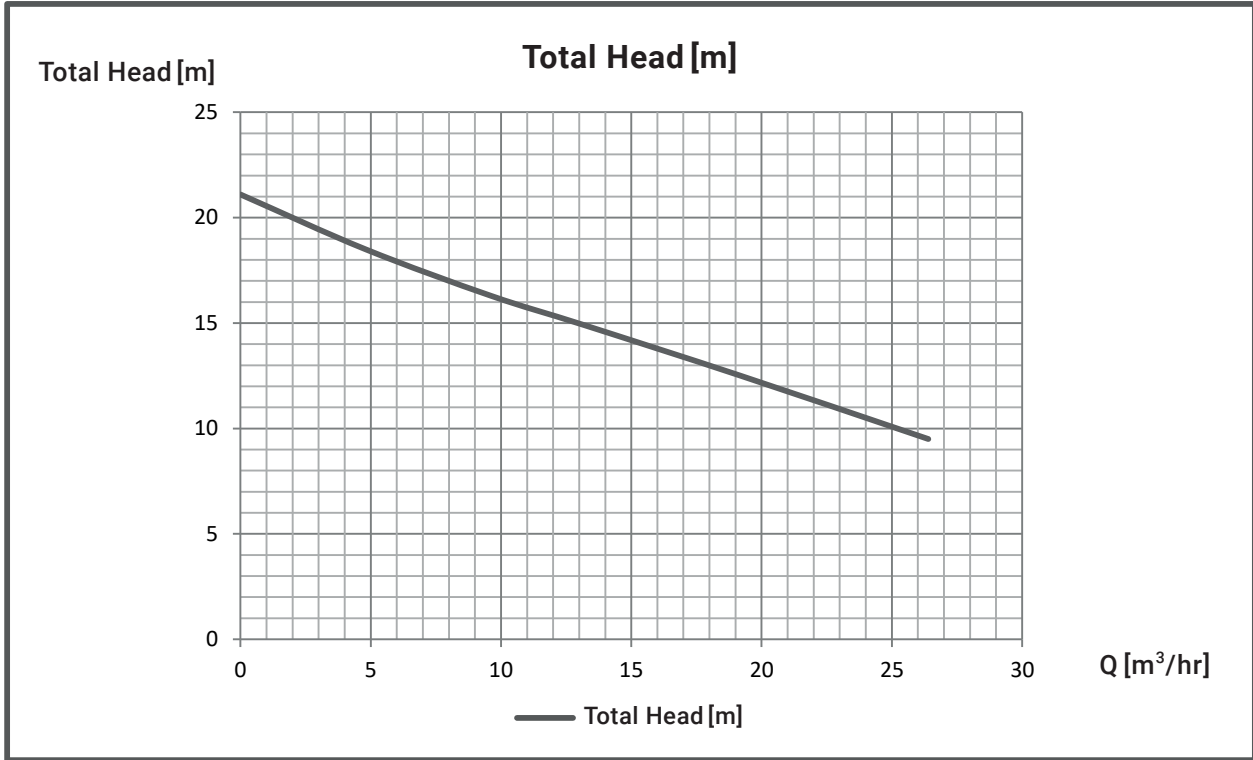
■ PERFORMANCE CURVES



EXPECTED PERFORMANCE CURVE

MODEL : ZU3/H-505-1.5T4, ZUJ(HJ)-505-1.5T4

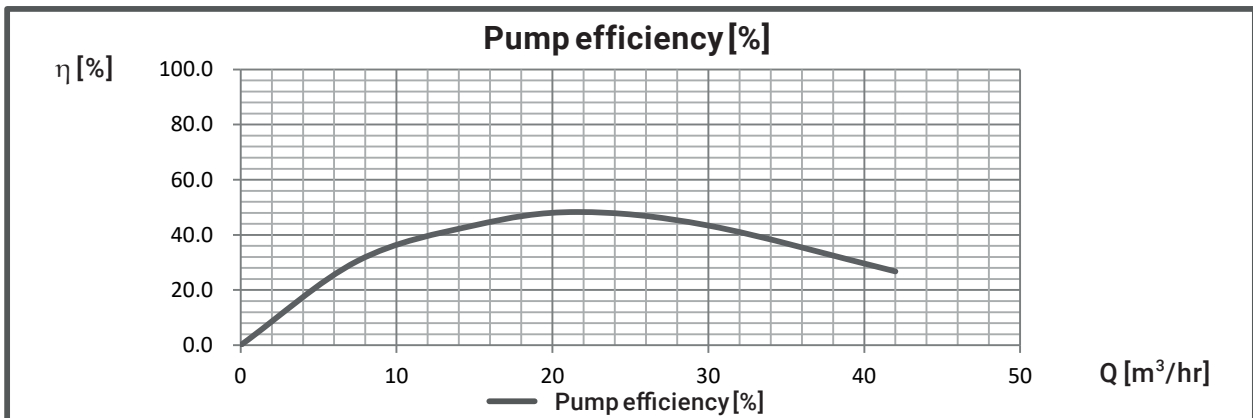
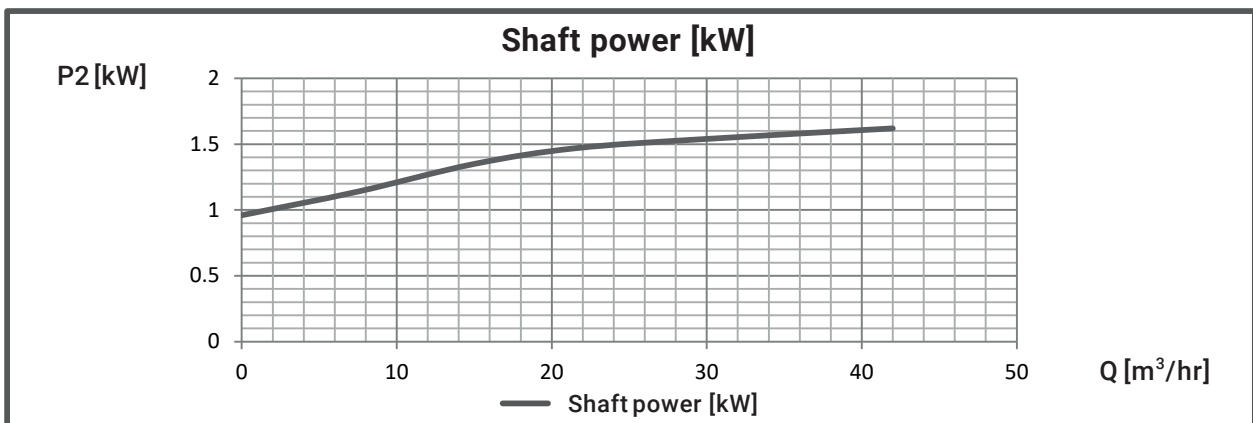
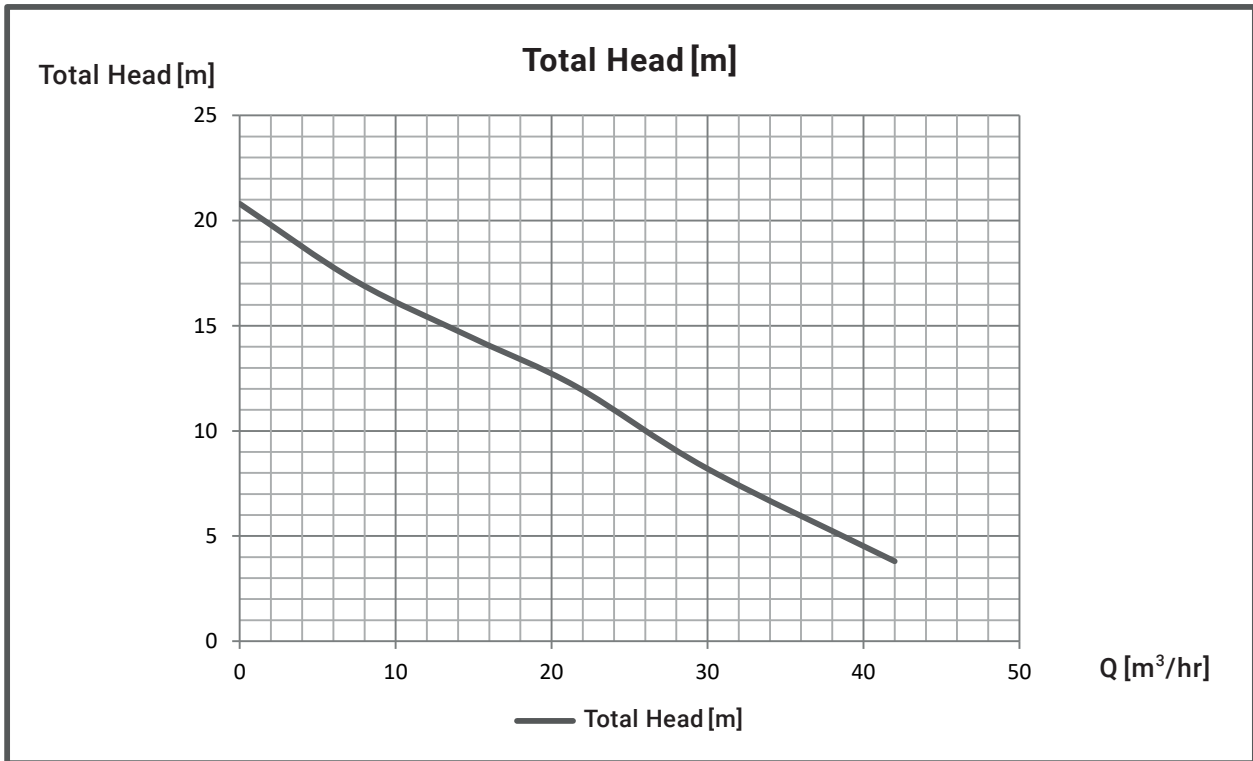
■ PERFORMANCE CURVES



EXPECTED PERFORMANCE CURVE

MODEL : ZU3/H-655-1.5T4, ZUJ(HJ)-655-1.5T4

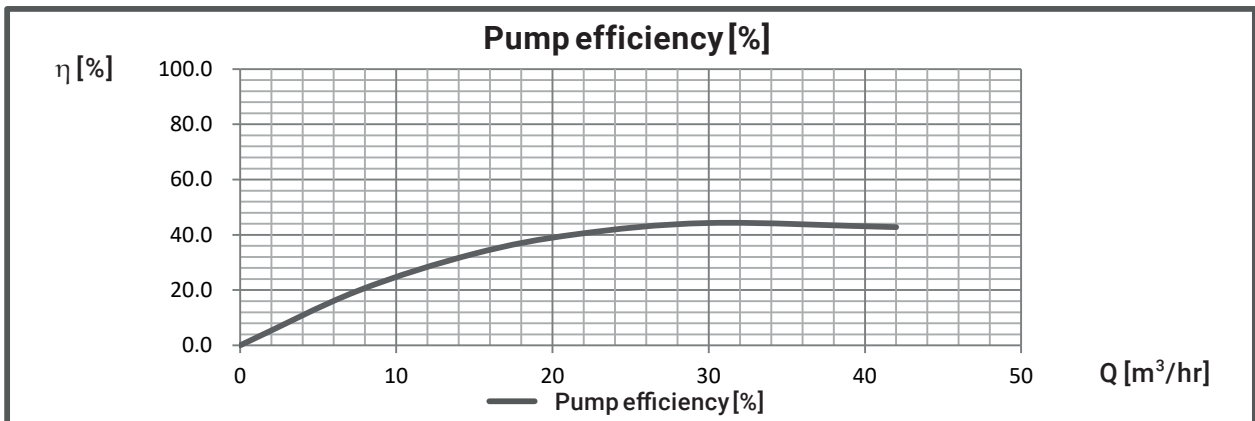
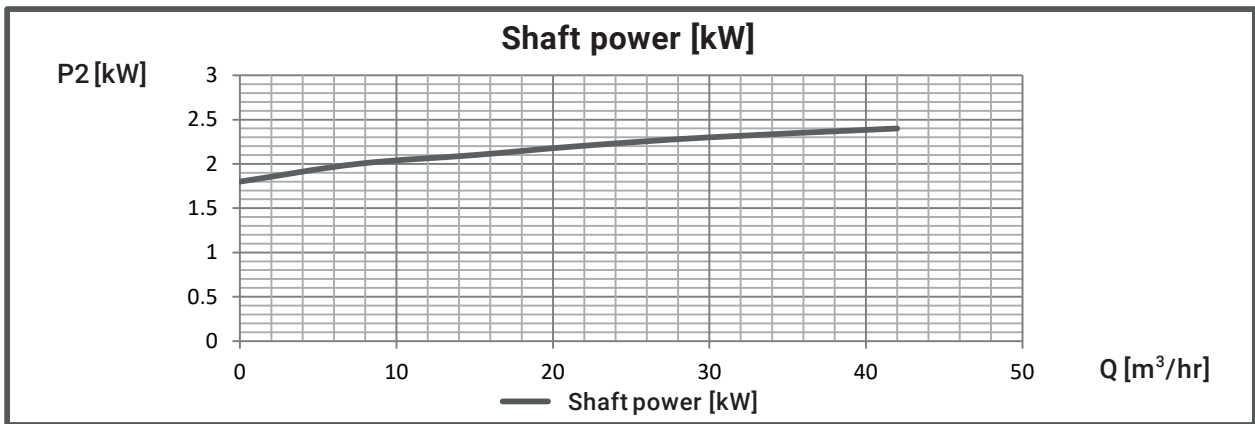
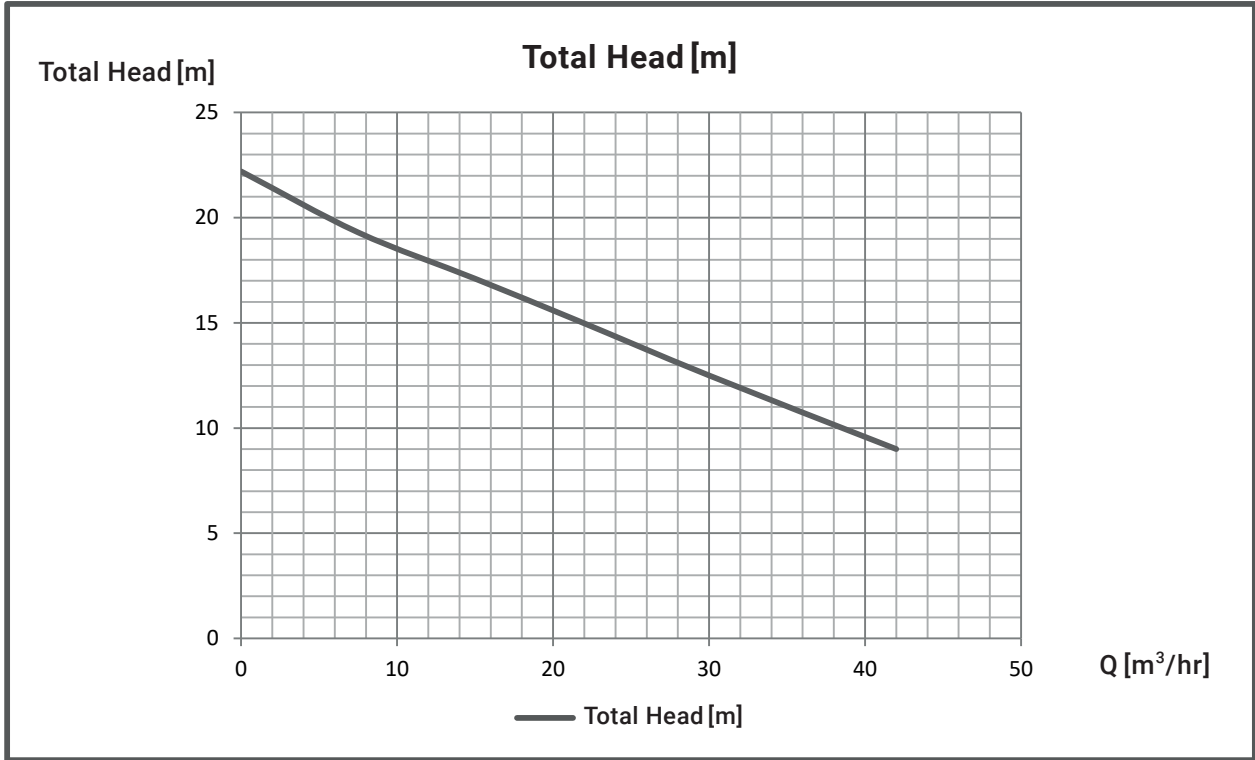
■ PERFORMANCE CURVES



EXPECTED PERFORMANCE CURVE

MODEL : ZU3/H-655-2.2T4, ZUJ(HJ)-655-2.2T4

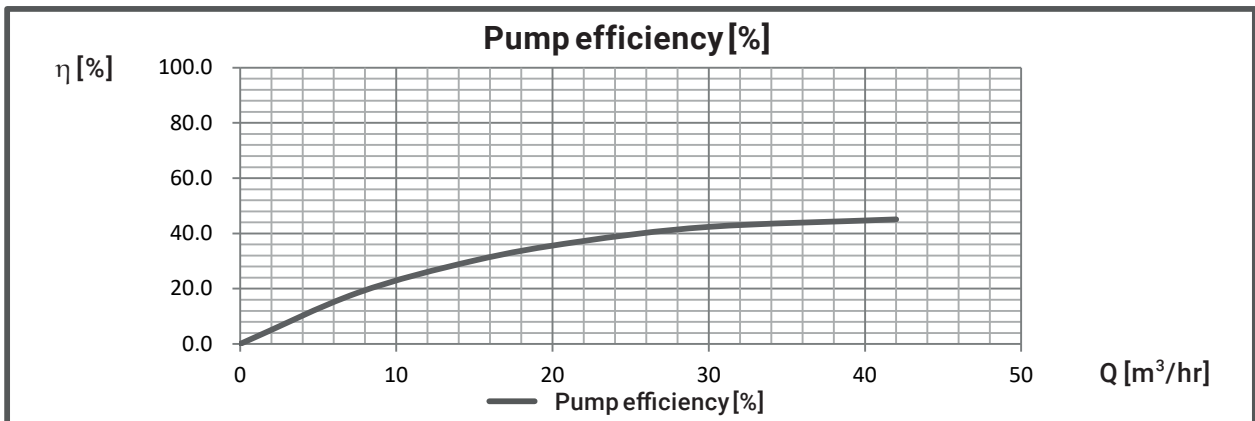
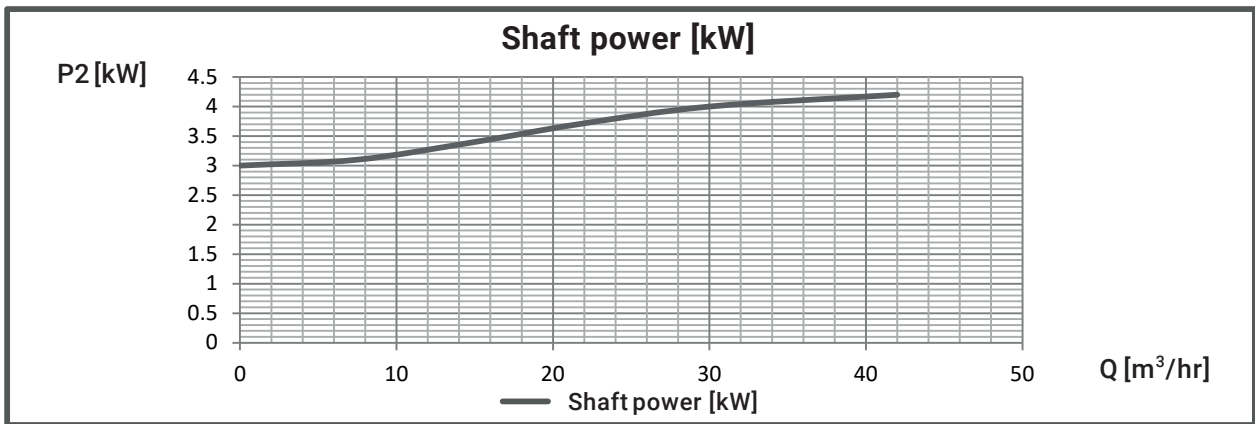
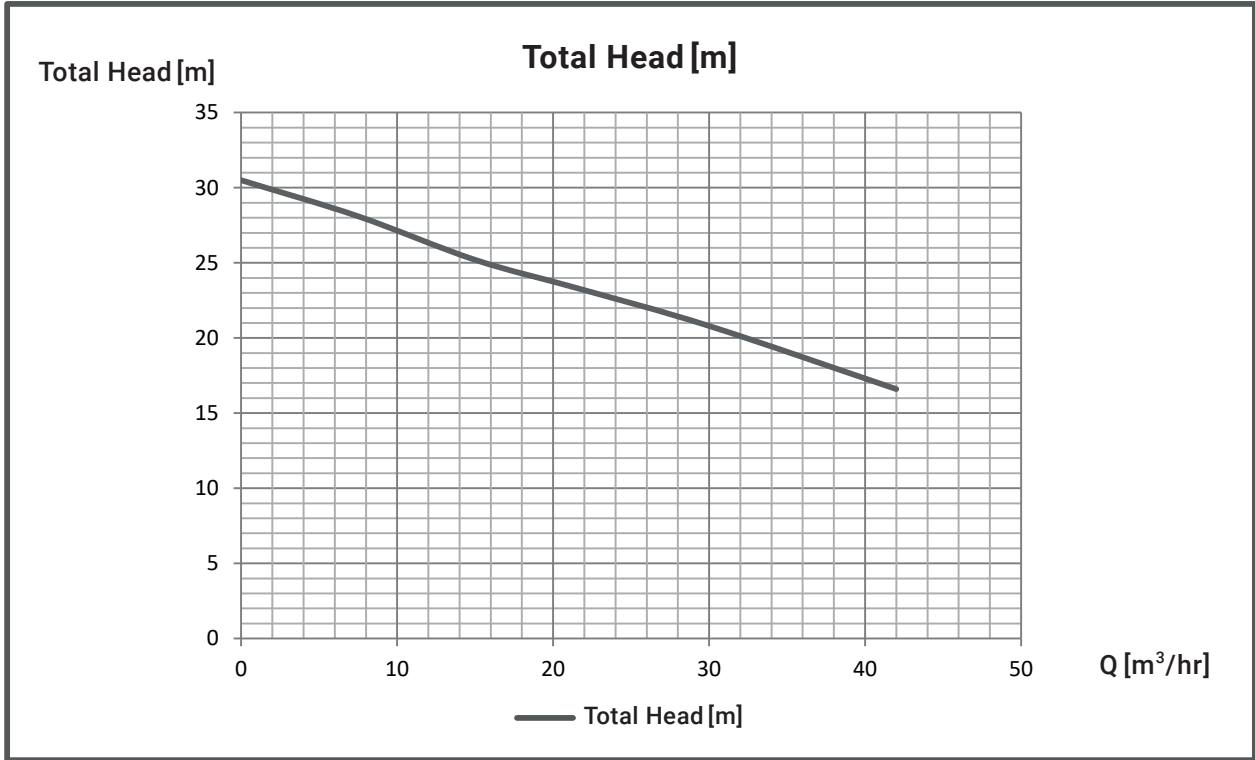
■ PERFORMANCE CURVES



EXPECTED PERFORMANCE CURVE

MODEL : ZU3/H-655-3.7T4, ZUJ(HJ)-655-3.7T4

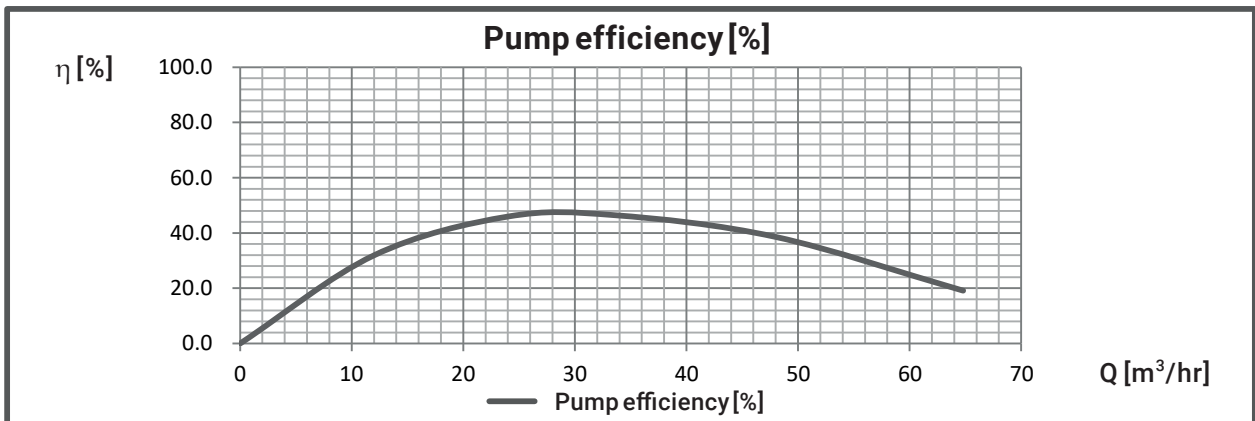
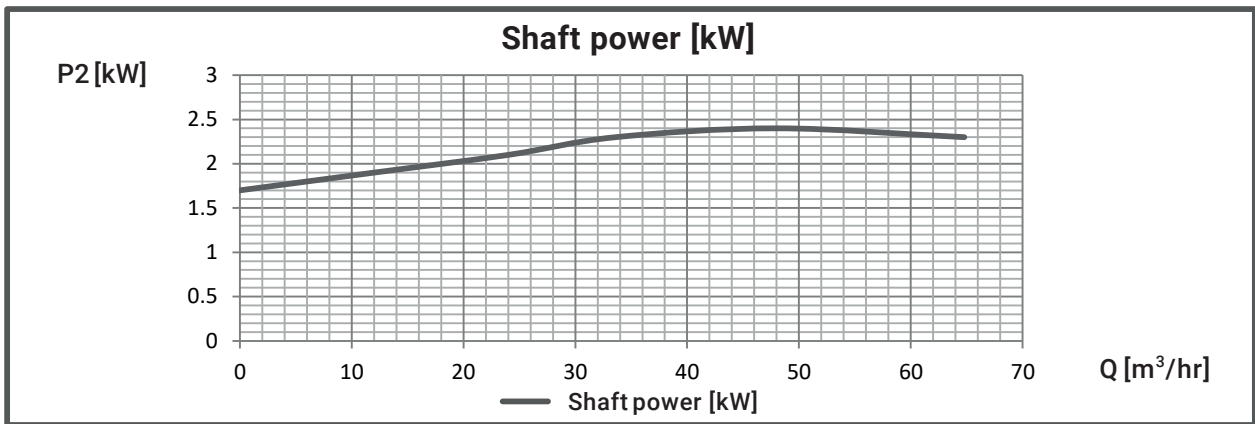
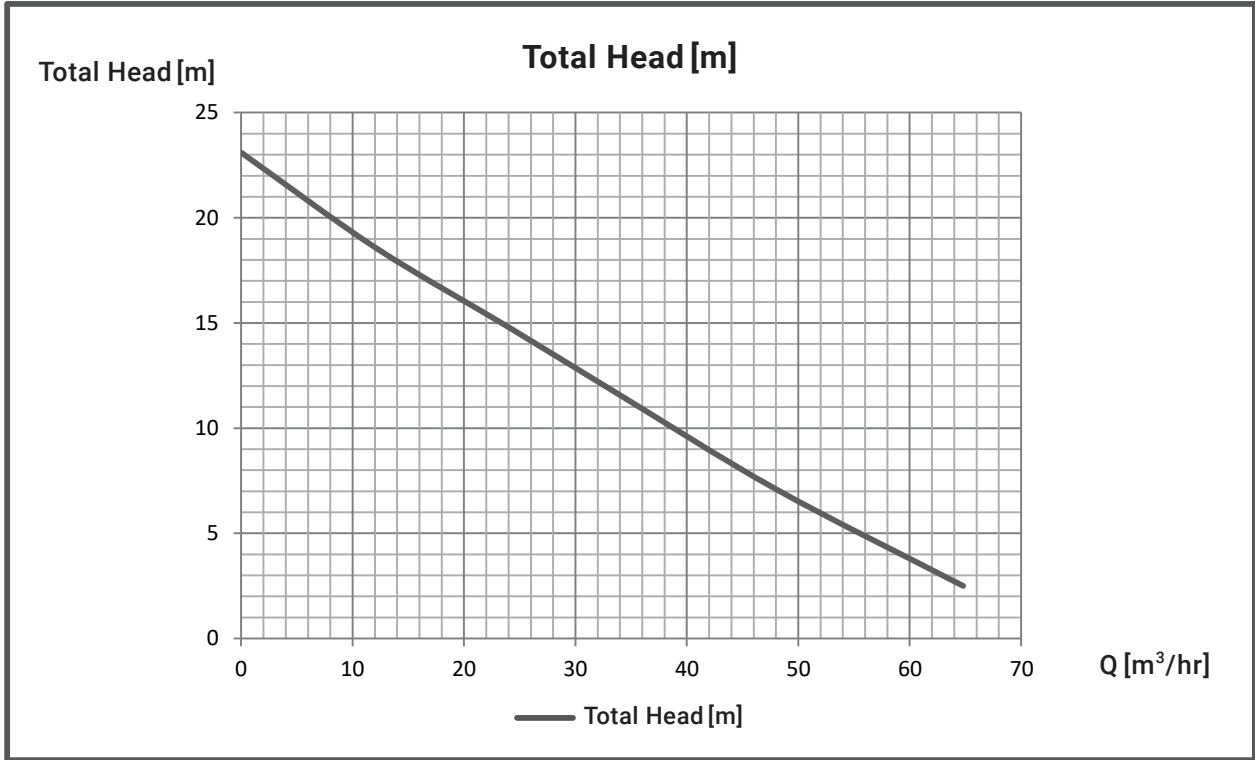
■ PERFORMANCE CURVES



EXPECTED PERFORMANCE CURVE

MODEL : ZU3/J-805-2.2T4

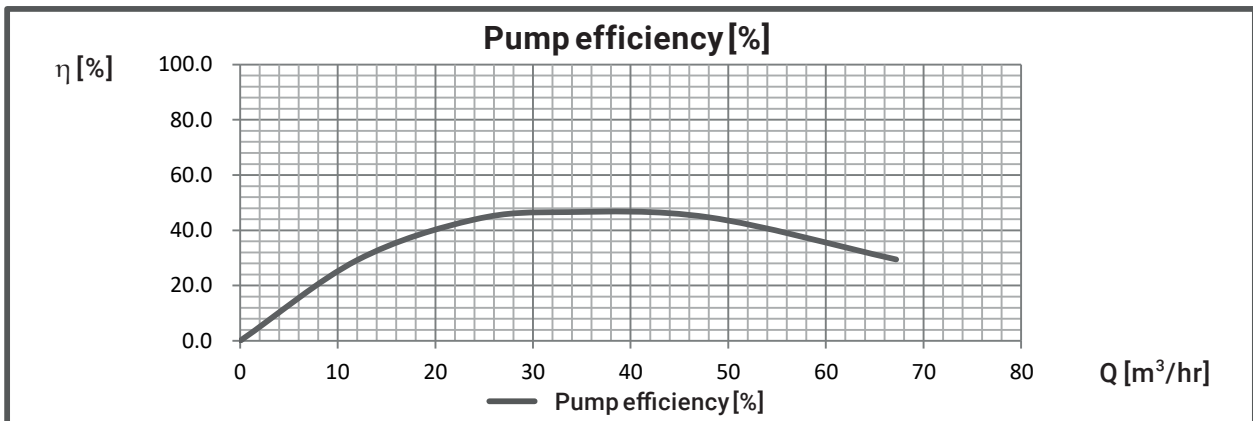
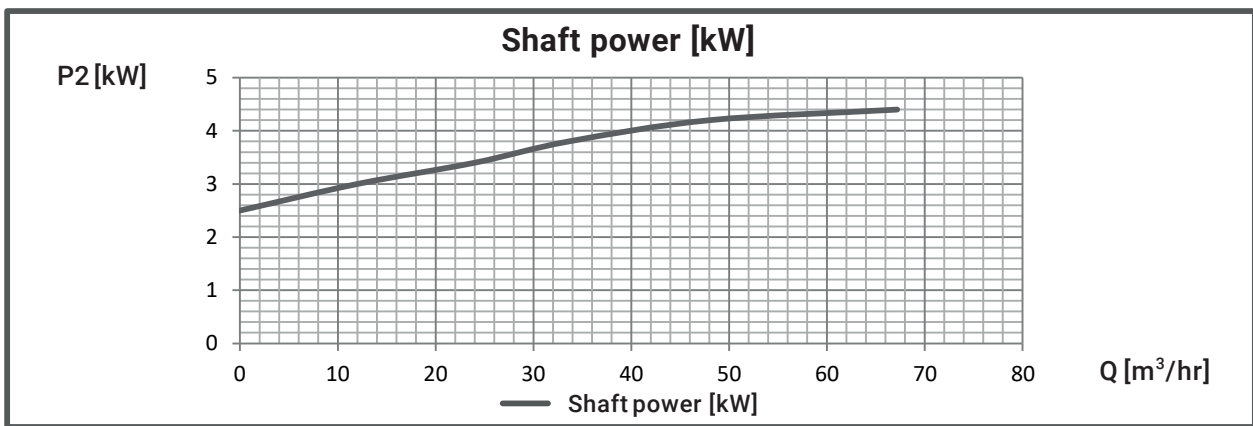
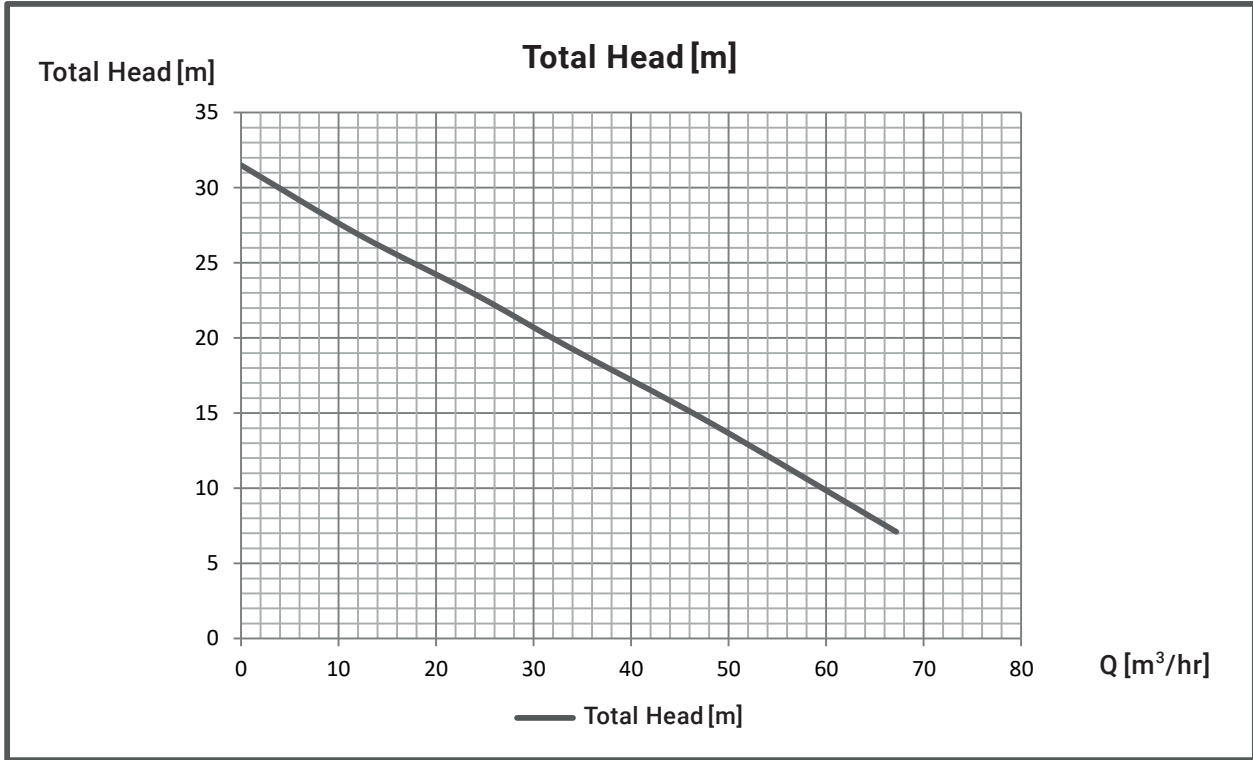
■ PERFORMANCE CURVES



EXPECTED PERFORMANCE CURVE

MODEL : ZU3/J-805-3.7T4

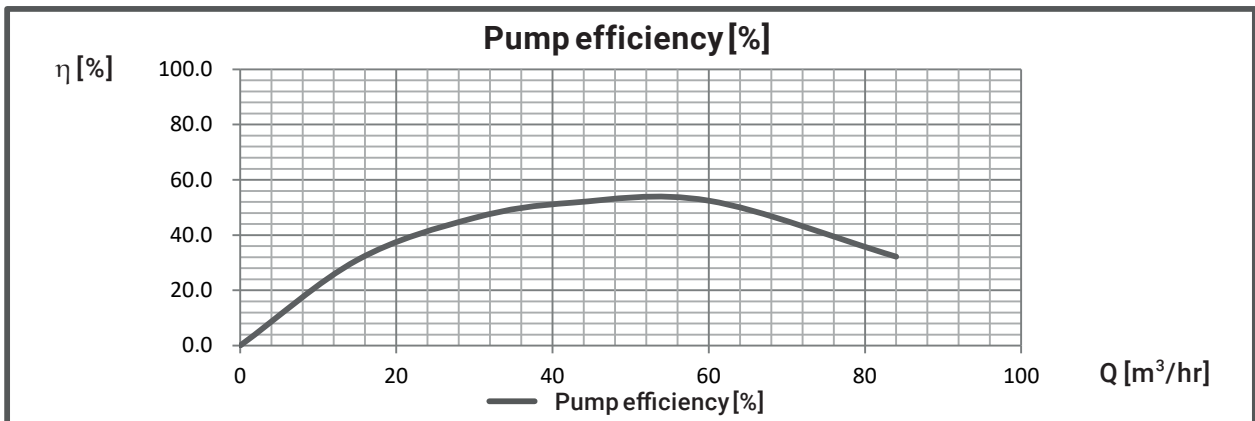
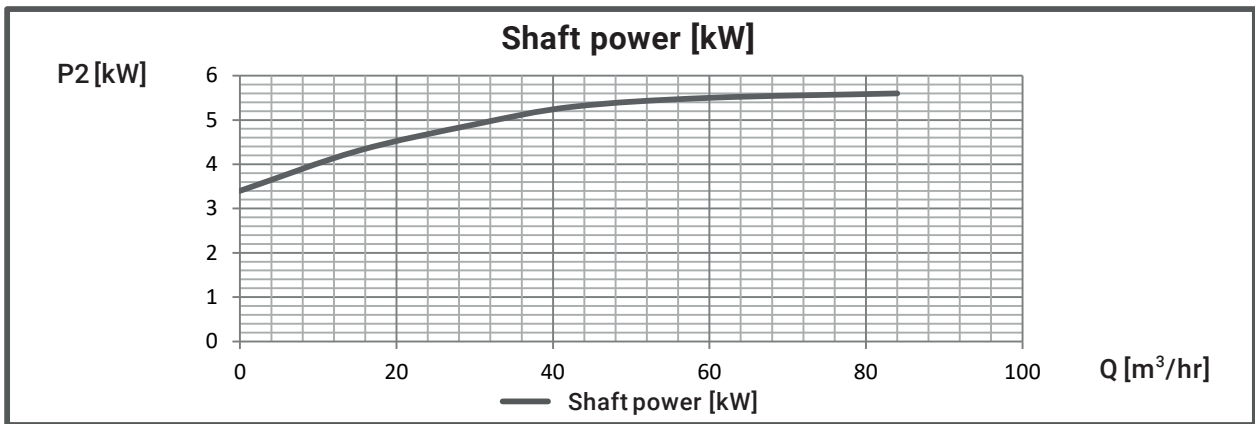
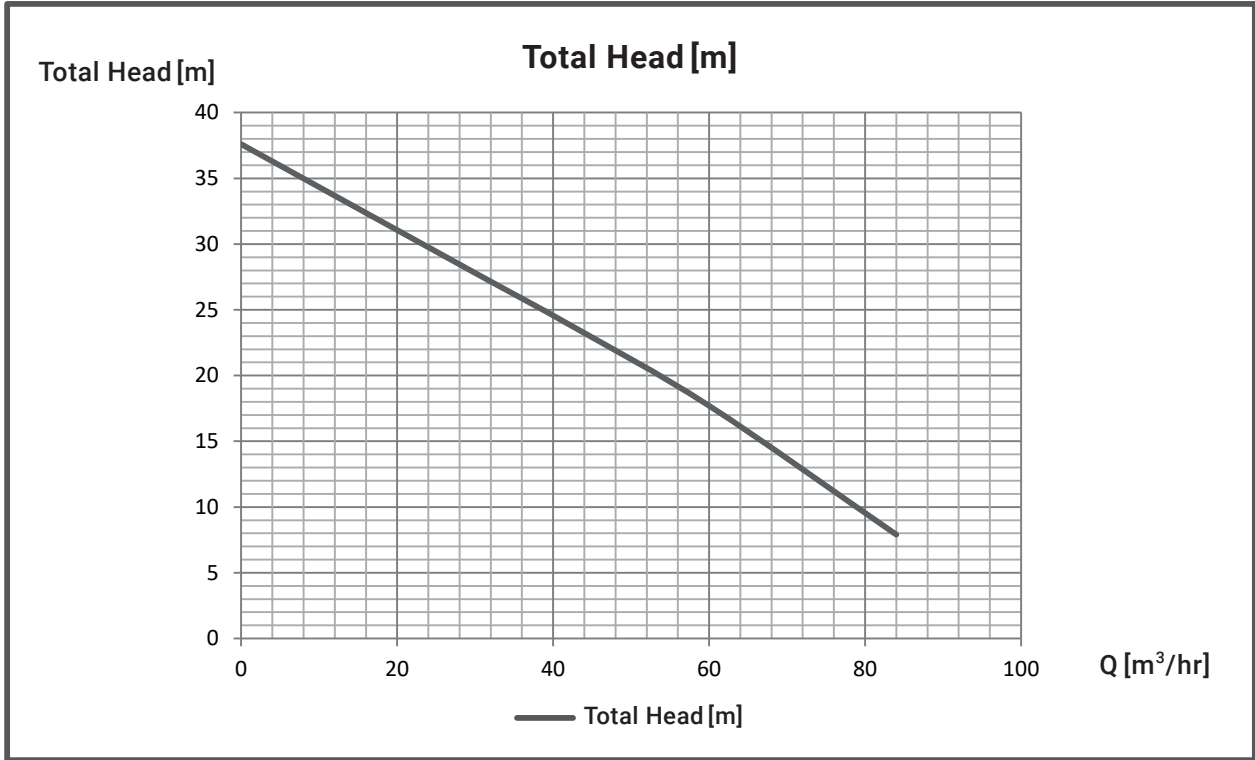
■ PERFORMANCE CURVES



EXPECTED PERFORMANCE CURVE

MODEL : ZU4-805-5.5T4

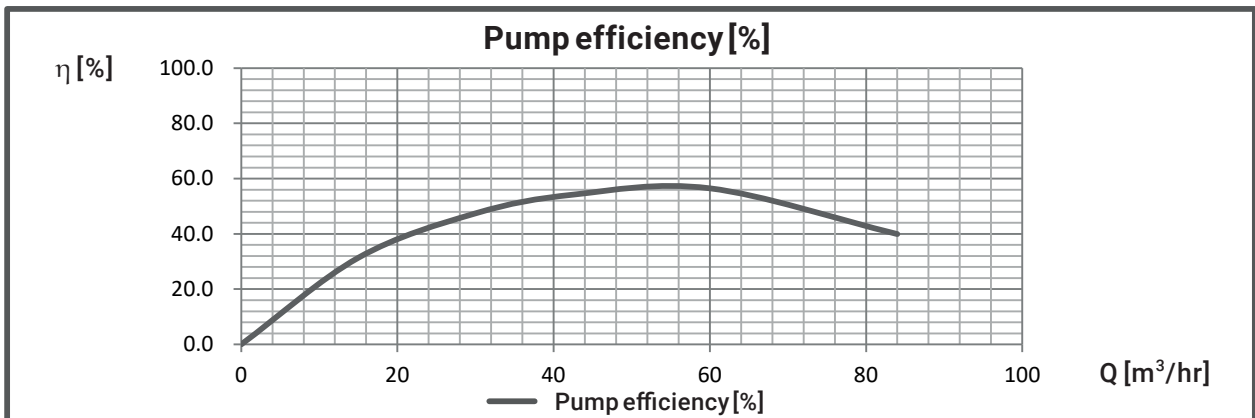
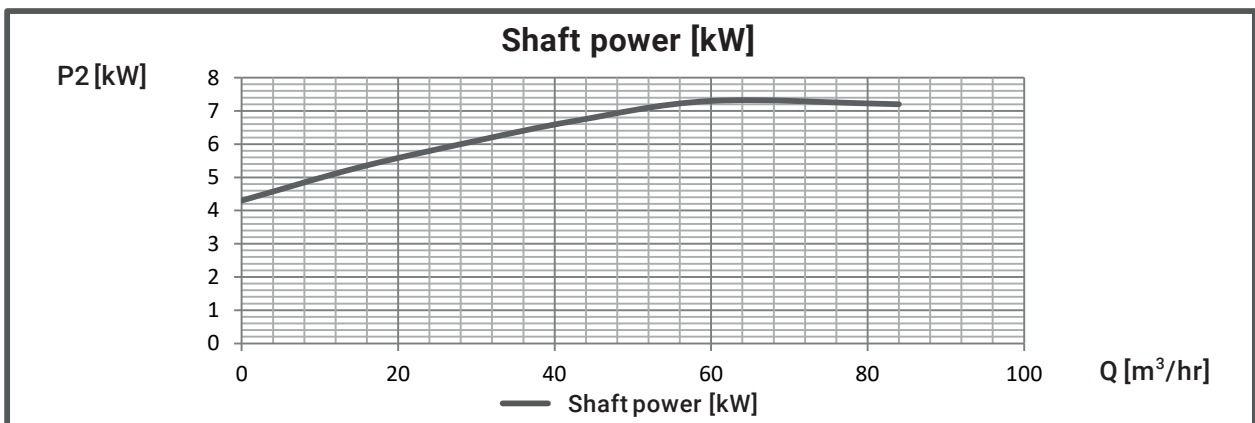
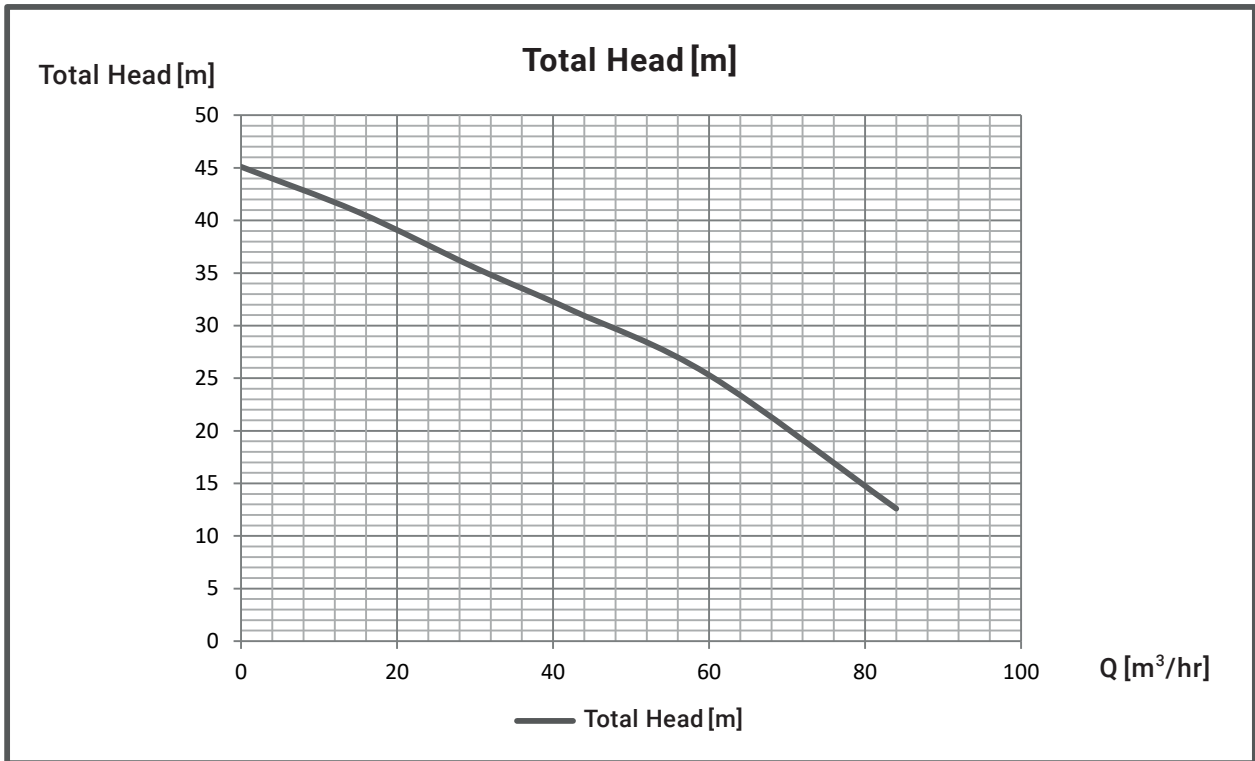
■ PERFORMANCE CURVES



EXPECTED PERFORMANCE CURVE

MODEL : ZU4-805-7.5T4

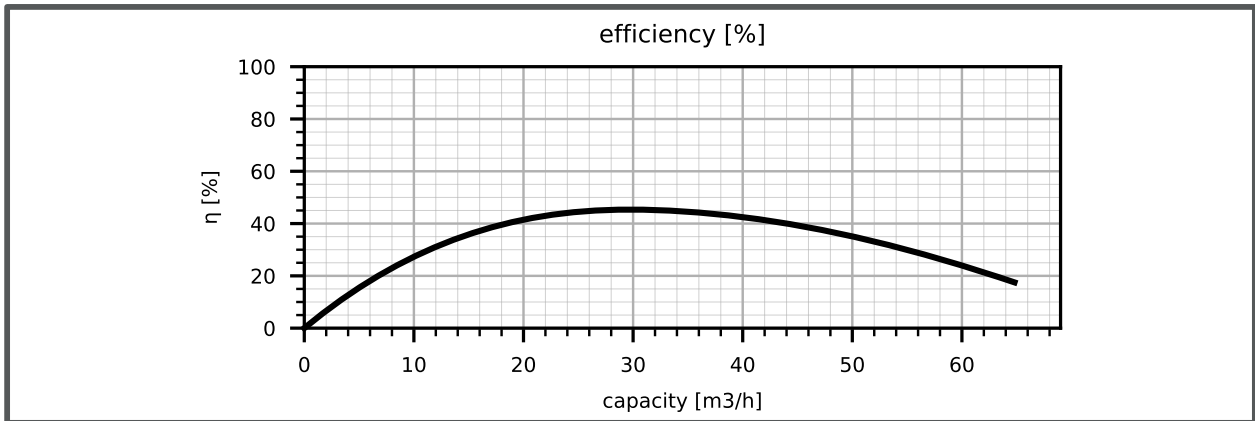
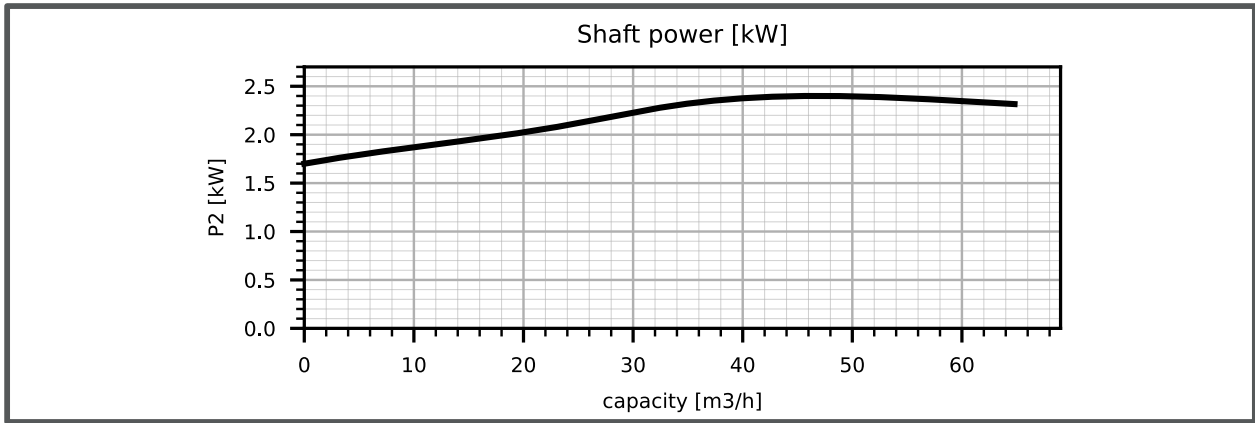
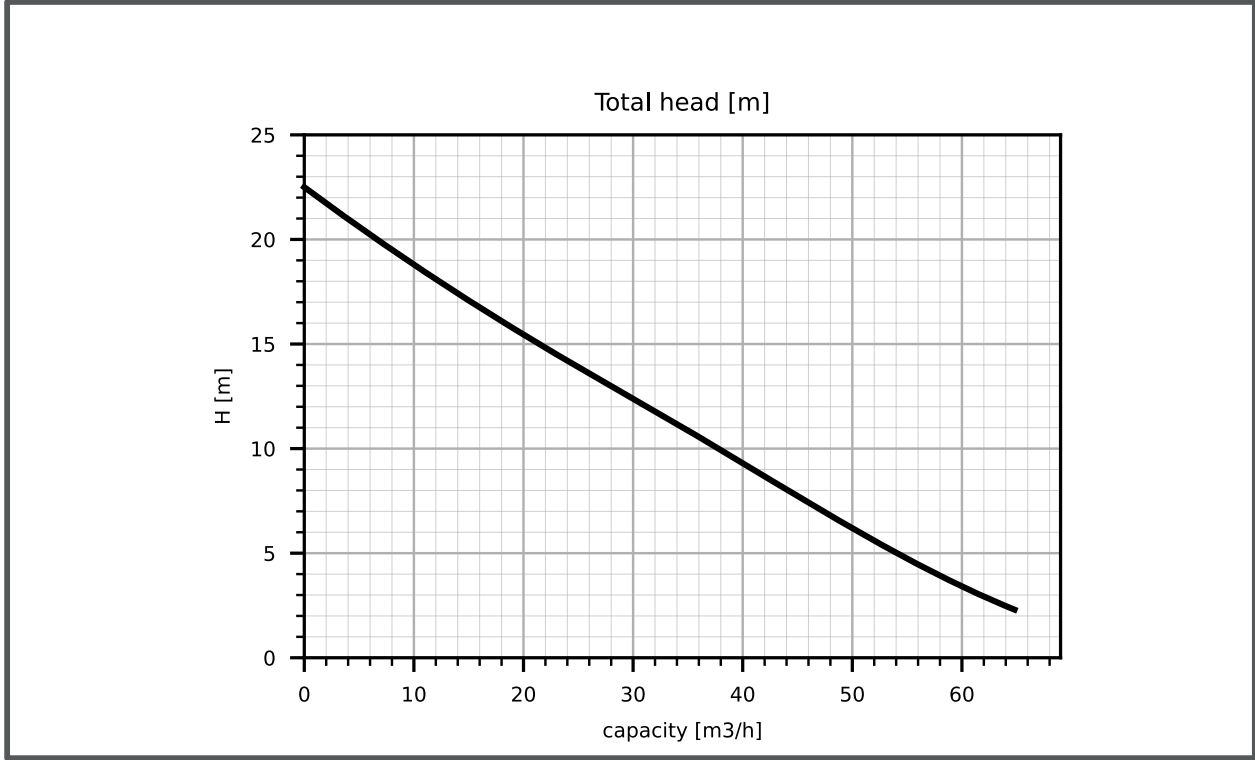
■ PERFORMANCE CURVES



EXPECTED PERFORMANCE CURVE

MODEL : ZUH(HJ)-805-2.2T4

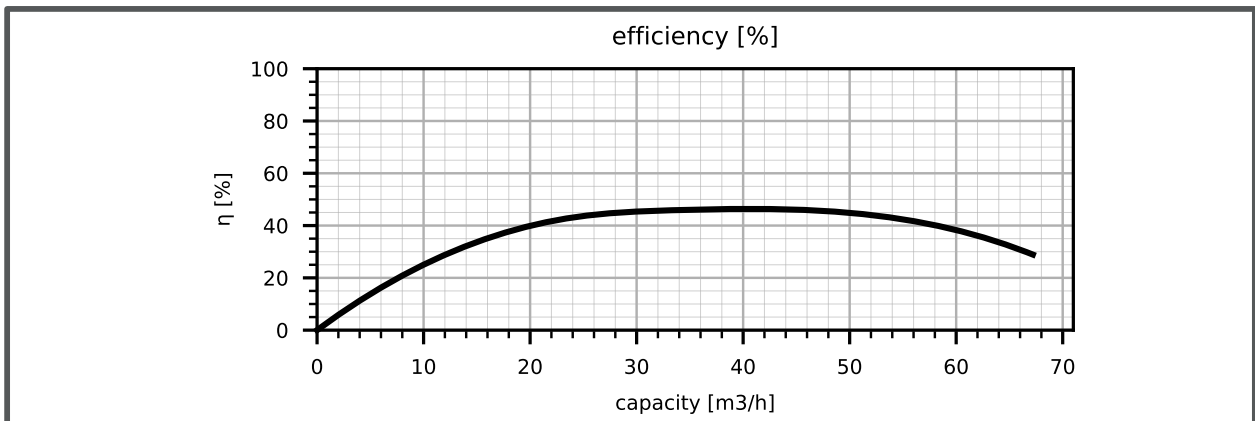
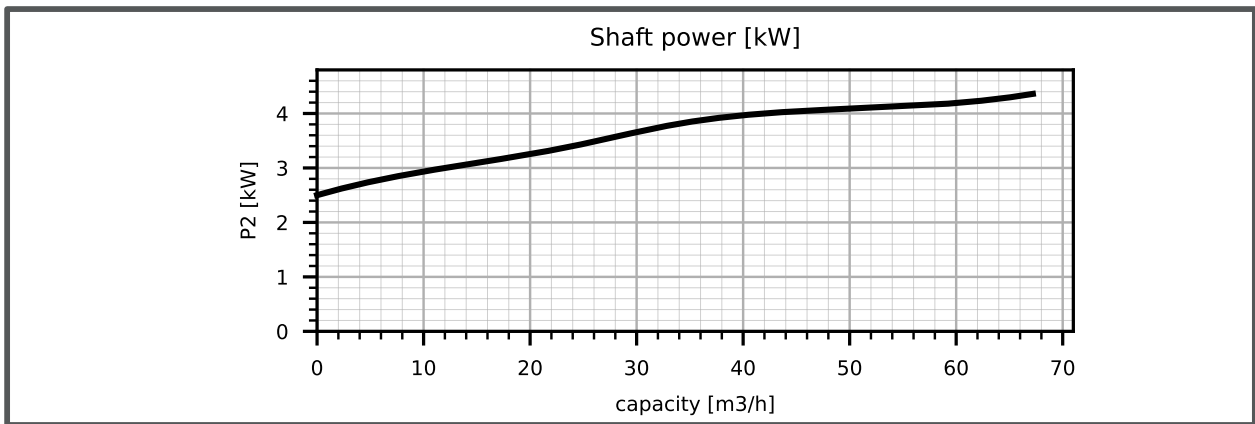
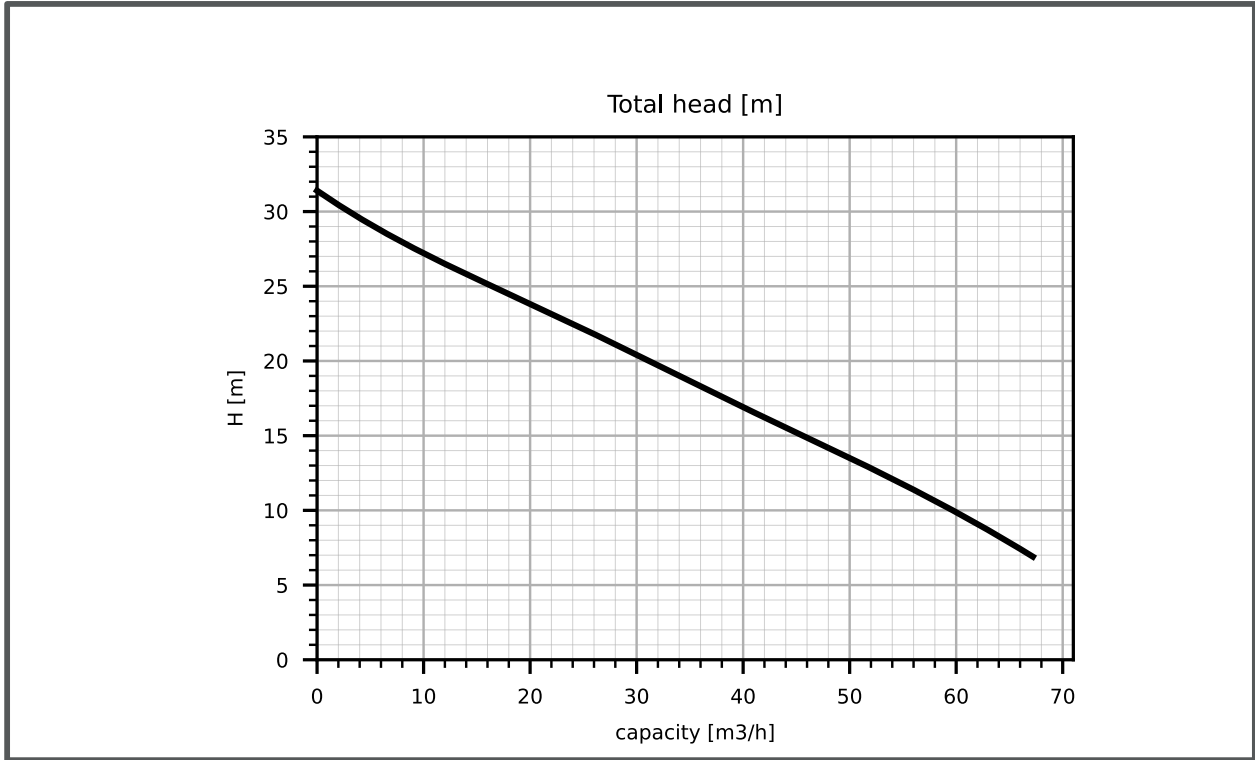
■ PERFORMANCE CURVES



EXPECTED PERFORMANCE CURVE

MODEL : ZUH(HJ)-805-3.7T4

■ PERFORMANCE CURVES



IMPORTANT SAFETY PRECAUTIONS

Always read the manual thoroughly and fully comprehend the contents for safe operation before starting use. Precautions for using products safely and for preventing personal injuries or physical damage are given in the manual.

- Matters falling under the following may not be covered by the warranty: uses out of the specified scope of application, failure to comply with precautions, improper repairs and alterations, matters arising from natural disasters, matters arising from the installation environment (improper power source, foreign objects, sand etc.), non-compliance with laws and regulations or standards pertaining thereto, accidental or intentional damage or injury, replacement of consumable parts, defects due to resale, etc.
- Do not use the product for applications out of the product specifications. Doing so may cause electric shock, fire, water leakage, etc.
- Have spare equipment ready when using pumps for equipment for living things (fish farms, fish tanks, aquariums, etc.) or critical equipment.
- Pump failure may cause lack of oxygen and water quality deterioration, and may affect the lives of the living things.
When using pumps for equipment for living things (fish farms, fish tanks, aquariums, etc.), do not install the pump in the tank where the living things are put into. The current leakage or sealing liquid leak from the mechanical seal may cause the death of the living things.
- If used to transport food-related items, give due consideration to the materials used. Contamination by foreign objects may occur.
- Avoid using for living things which disagrees with copper alloy. It may affect the lives of the living things.
- Select a product which is appropriate for your application. Inappropriate use of products may cause accidents.
- Conduct construction in accordance with the applicable laws and regulations (the Technical Standards of Electric Installation, interior wiring regulation, Building Standards Act, Water Supply Law, etc.). Not only does it violate the laws and regulations, but it also may cause injuries due to electric shock, fire, falling and tipping over.
- Do not use in places where people are assumed to get in contact with the product (baths, pools, lakes, etc.). Electric leak may occur and cause electric shock.
- Depending on the equipment, attach a filter etc. appropriate for your application on the discharge side before use, perform thorough flushing to check that there is no contamination. Cutting oil, rubber mold releasing agent, foreign objects etc. from the manufacturing line and cutting oil, foreign objects etc. from the pipeline may contaminate the liquid which is to be handled.
- Do not operate pumps with a specification of 50Hz at 60Hz. It may cause damage due to overpressure or burn damage of motors etc. due to overload. Do not operate pumps with a specification of 60Hz at 50Hz. Pump performance may be reduced.
- Only repair technicians may disassemble, repair, modify the product or replace cables. Defects may cause failure, damage, electrification or fire.
- It is recommended that both periodic and daily inspections be performed in order to ensure that the pump will operate reliably for as long as possible. Failure to perform inspections may lead to pump failure, accidents etc. For periodic inspections, please consult your distributor or our nearest sales office.

Note

Specifications/Configurations may be altered as a result of improvements and such.
Unauthorized reproduction of this document is prohibited.