



Construction

Self-priming swimming pool pumps with built-in strainer and motor insulated from pumped water.
The pump is made with high quality plastic materials, corrosion and sand erosion resistant.
With stainless steel diffuser.
Base-plate kit.

Applications

- For water circulation in swimming pool filtration systems.
- For clean or slightly dirty water with solids in suspension.

Operating conditions

Water temperature up to 60 °C.
Ambient temperature up to 40 °C.
Maximum permissible pressure in the pump casing 2,5 bar.
Continuous duty (S3 60% for 1,5-1,8 kW).

Motor

2-pole induction motor, 50 Hz ($n \approx 2800$ rpm).

MPC: three-phase 230/400 V $\pm 10\%$.

MPCM: single-phase 230 V $\pm 10\%$, with thermal protector.
Capacitor inside the terminal box.

Insulation class F.

Protection IP X4.

IE2 efficiency class for single-phase motors up to 1,1 kW.

IE3 efficiency class for three-phase motors (IE2 up to 0,65 kW).

Constructed in accordance with: EN 60034-1; EN 60034-30-1.
EN 60335-1, EN 60335-2-41.

Special features on request

- Other voltages.
- Frequency 60 Hz (as per 60 Hz data sheet).

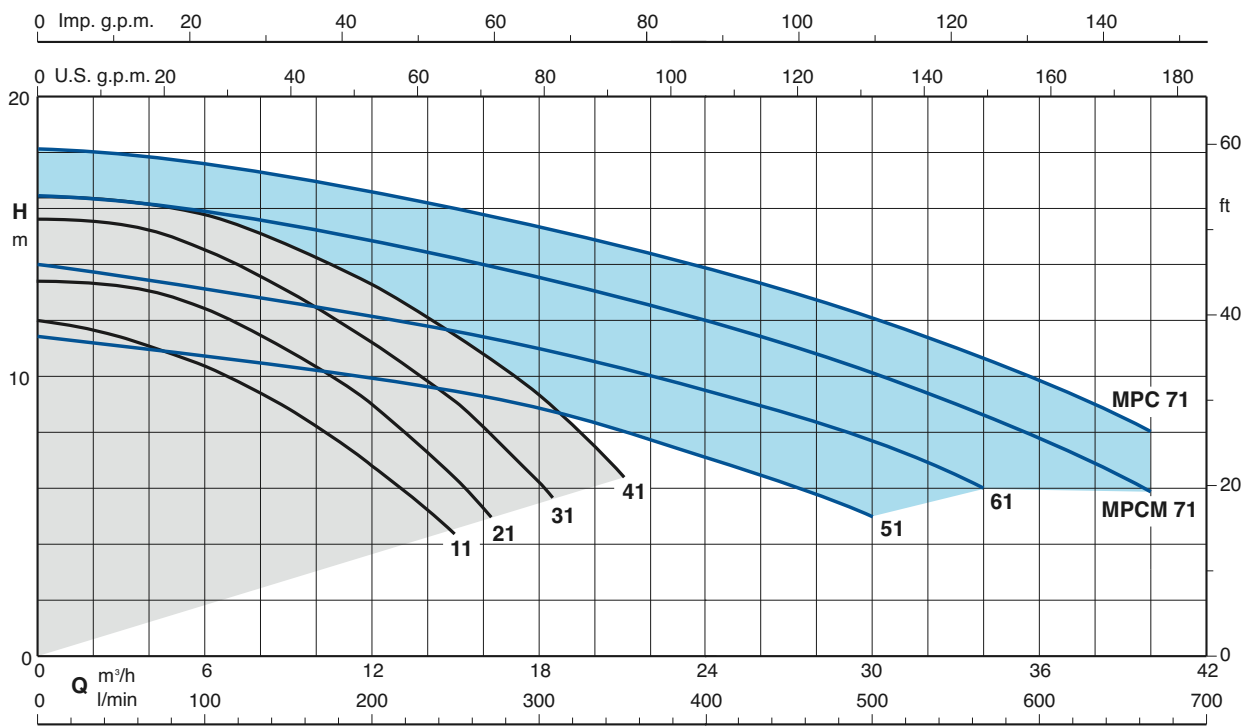
Certification marks:



Materiali

Component	Material
Pump casing	Glass reinforced thermoplastic
Diffuser cover	PPO-GF30, NORYL
Impeller	Transparent polycarbonate, LEXAN
Strainer cover	Polypropylene
Strainer basket	Cr-Ni-Mo steel AISI 316
Diffuser funnel and wear-ring	Ceramic alumina, Carbon, FPM
Mechanical seal	

Coverage chart $n \approx 2800$ rpm



Performance $n \approx 2800$ rpm

	3~ 230 V 400 V		1~ 230 V P ₁		P ₂		Q m ³ /h l/min	H m							
	A	A	A	kW	kW	HP									
MPC 11	2,8	1,6	MPCM 11	3,3	0,73	0,37	0,5	0	3	6	9	12	15	18	21
MPC 21/A	3	1,7	MPCM 21/A	4,5	1	0,55	0,75	0	50	100	150	200	250	300	350
MPC 31/B	3,7	2,2	MPCM 31/A	5,4	1,2	0,75	1	11,9	11,4	10,3	8,9	6,8	4,2		
MPC 41/A	4,6	2,7	MPCM 41	7	1,6	1,1	1,5	13,4	13,3	12,4	10,9	9	6,3		
								15,6	15,5	14,5	13	11,2	9,1	6,2	
								16,4	16,2	15,8	14,7	13,3	11,4	9,3	6,4

	3~ 230 V 400 V		1~ 230 V P ₁		P ₂		Q m ³ /h l/min	H m										
	A	A	A	kW	kW	HP												
MPC 51/A	4,6	2,7	MPCM 51	7	1,6	1,1	1,5	0	3	9	15	18	21	24	27	30	34	40
MPC 61/A	6,2	3,6	MPCM 61	9,2	2	1,5	2	0	50	150	250	300	350	400	450	500	567	667
			MPCM 71/B	11,2	2,5	1,8	2,5	11,5	11	10,5	9,5	9	8	7	6	5		
MPC 71/B	9,15	5,3				2,2	3	14	13,5	12,5	11,5	11	10,5	9,5	8,5	7,5	6	
								16,4	15,9	14,9	14	13,4	12,7	12,1	11,3	10,2	8,5	5,8
								18,2	18	17	16	15,5	14,5	14	13	12	10,5	8

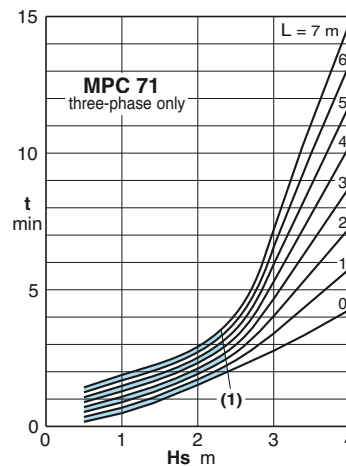
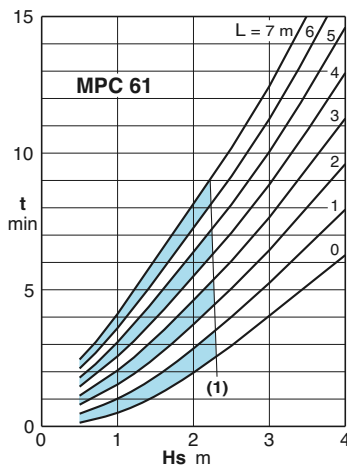
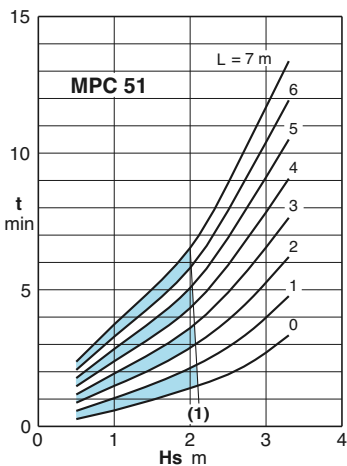
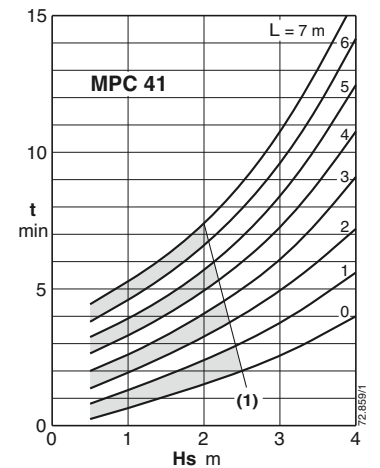
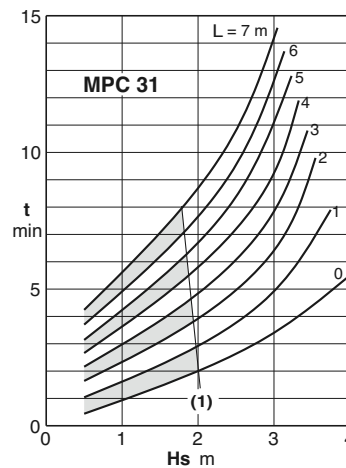
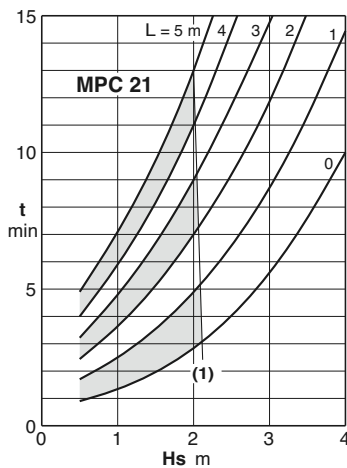
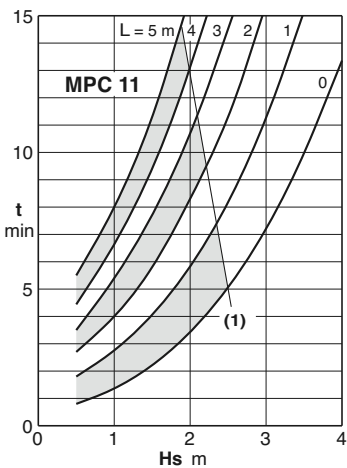
P₁ Max. power input.

P₂ Rated motor power output.

H Total head in m.

Tolerances in accordance with UNI EN ISO 9906:2012

Self-Priming Capability with the pump located above the water level

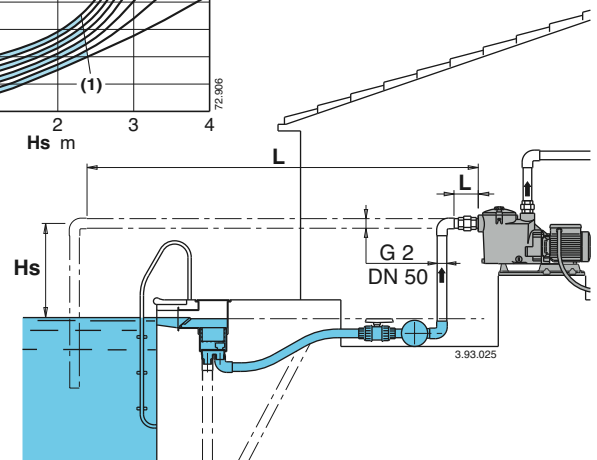


(1) Application limit for automatic self-priming at each start-up, without check valve.

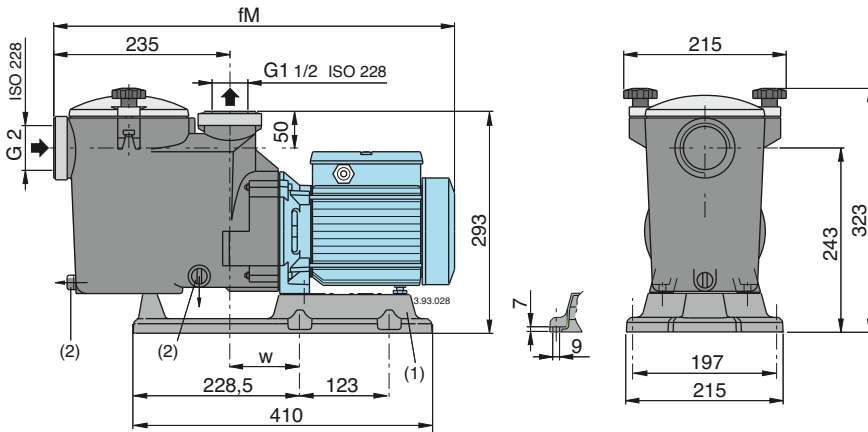
L (m) Horizontal length of suction pipe above the water level.

H_s (m) Suction lift.

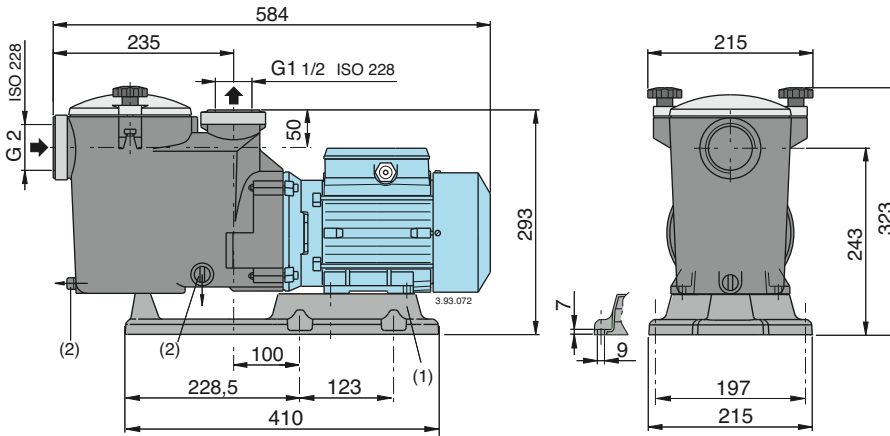
t (min) Self-priming time.



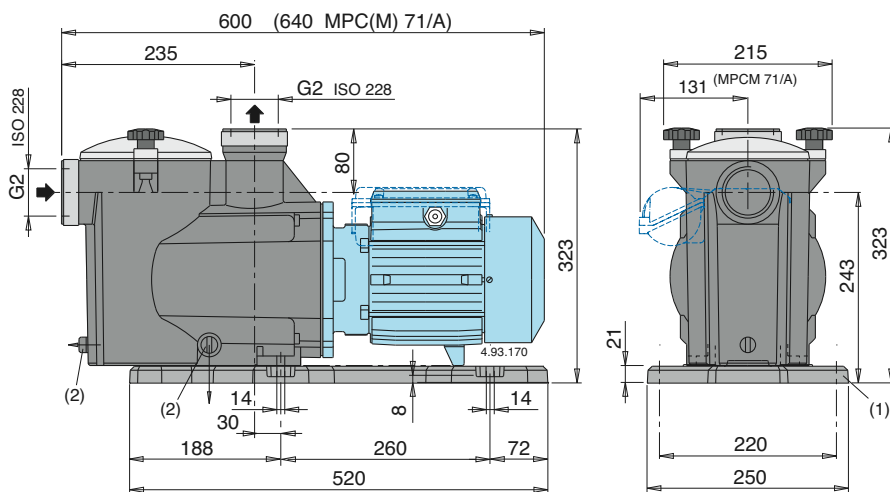
Dimensions and weights



TYPE	mm		kg	
	fM	w	MPC	MPCM
MPC 11 - MPCM 11	504	100	8,9	9
MPC 21/A - MPCM 21/A	536	100	10,2	11,3
MPC 31/B - MPCM 31/A	536	100	12,0	12,2



MPCM 41 17,5 kg
MPC 41/A 16,0 kg



MPCM 51 18,9 kg
MPC 51/A 17,4 kg
MPCM 61 20,7 kg
MPC 61/A 19,6 kg
MPCM 71/B 23,8 kg
MPC 71/B 22,5 kg

(1) Base-plate kit

(2) Draining

Features

