

NO. A-11450-1

PUMP PERFORMANCE CURVES

TYPE Sewage Submersible Channel Impeller Pump	MODEL 80B (A/W) 21.5 -52 TOS80B (A/W) 21.5 -52	FREQUENCY 50 Hz
--	---	--------------------

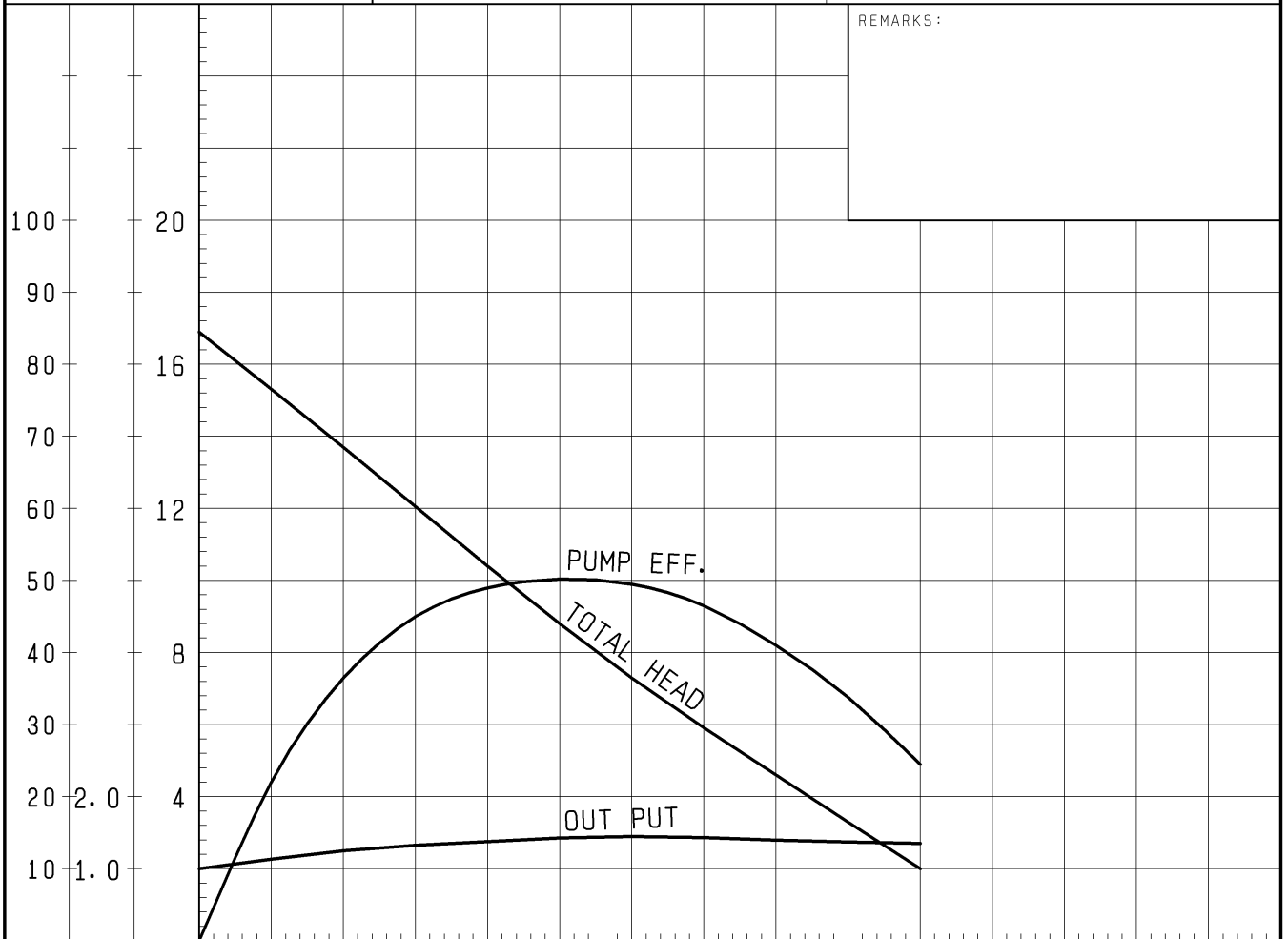
CUSTOMER'S NAME _____

EQUIPMENT TITLE _____

NO. _____

	STANDARD SPECIFICATIONS	REQUIRED SPECIFICATIONS
DISCHARGE BORE	80 mm	mm
TOTAL HEAD	8 m	m
CAPACITY	0.55 m ³ /min	m ³ /min
MOTOR OUTPUT	1.5 kW	kW
PHASE x VOLTAGE	3 ϕ x V	ϕ x V
CURRENT	A	A
POLES / REVOLUTION	2 P / S. S. 3000 min ⁻¹	P / min ⁻¹
STARTING METHOD	DIRECT ON LINE	
INSULATION CLASS	F	

REMARKS:

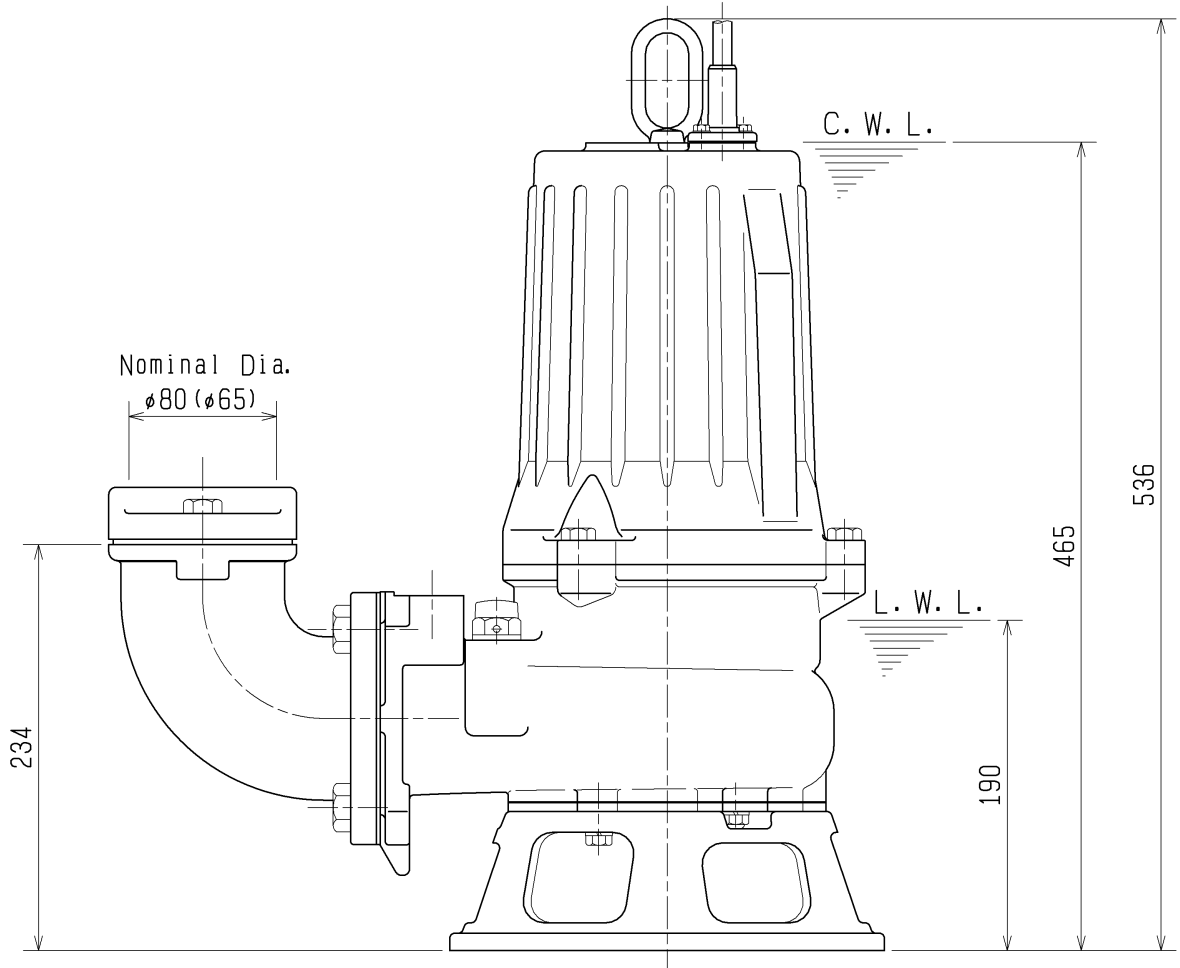
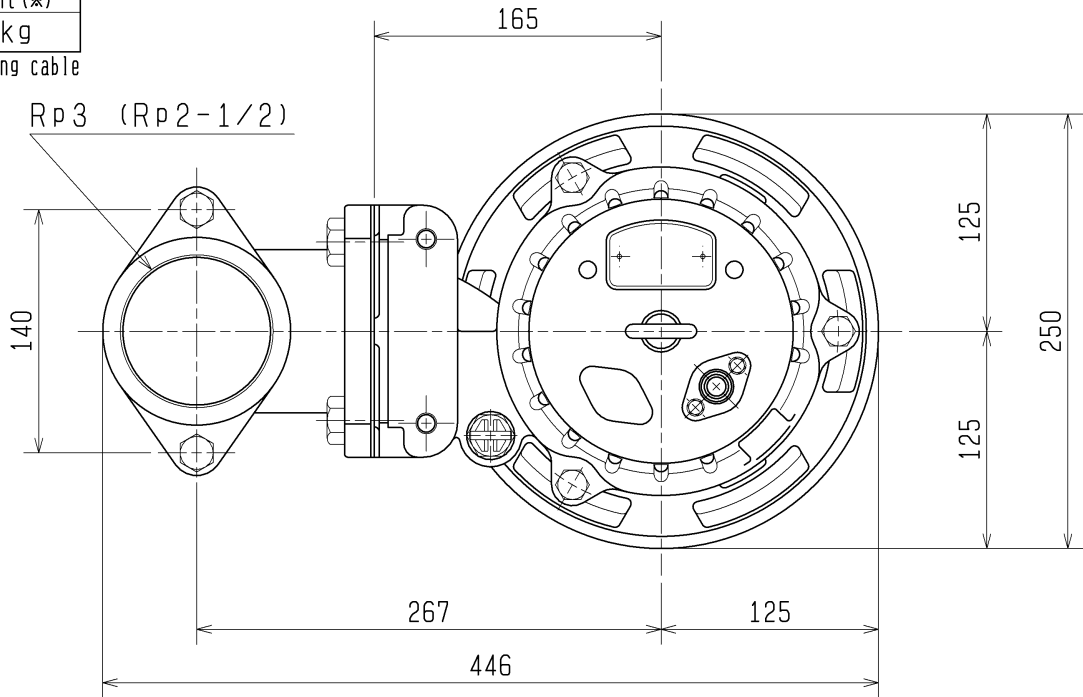


%	kW	m	CAPACITY
PUMP EFF.	OUT PUT	TOTAL HEAD	m ³ /min

TSURUMI MFG. CO., LTD.

DIMENSION DRAWING		No.	No. A-11452-3
TYPE	Sewage Submersible Channel Impeller Pump	MODEL	80B21.5 -52/62

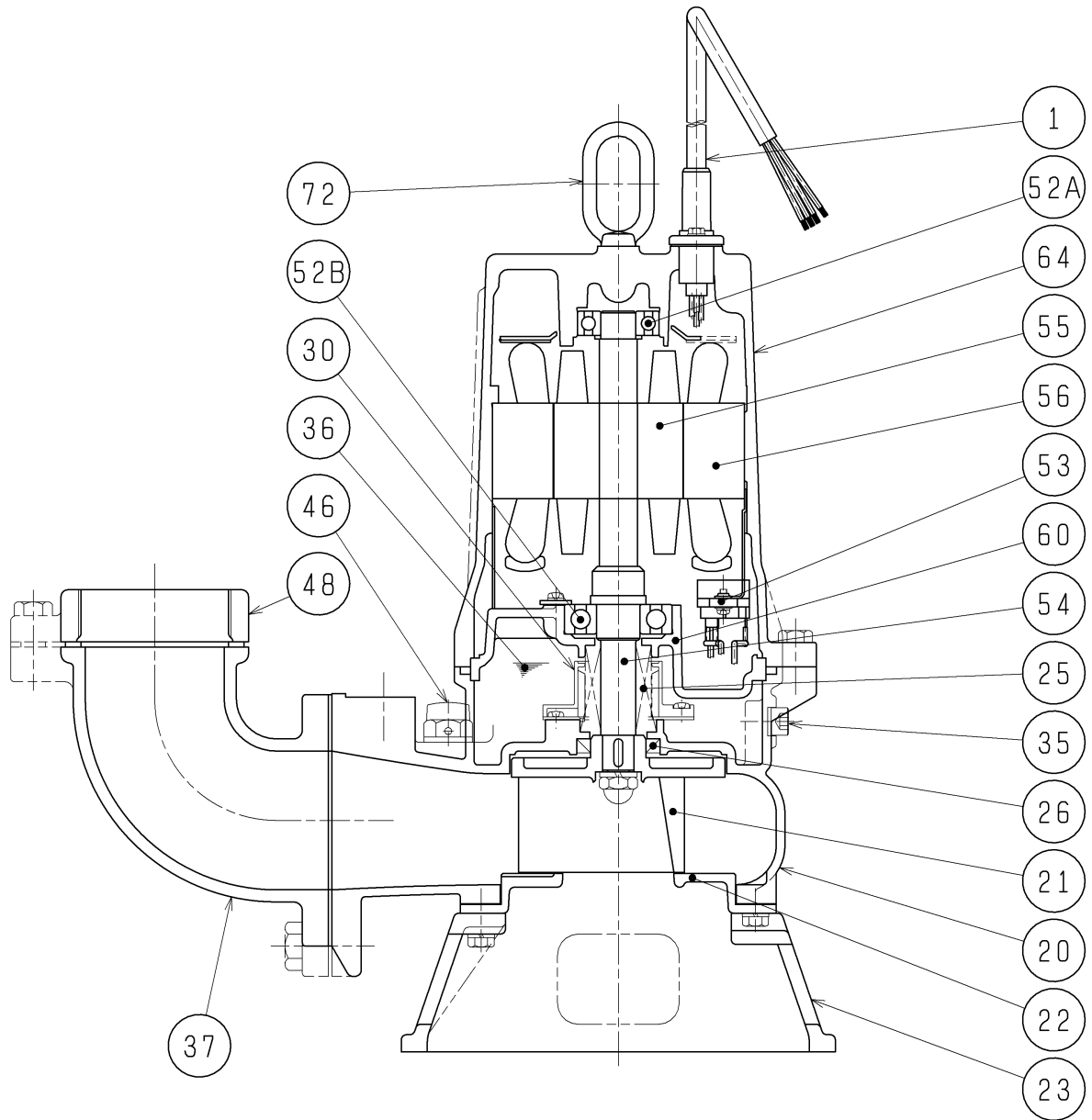
Approximate Weight (※)
36kg
※excluding cable



The Figure in () shows the dimensions of discharge Bore at Nominal $\phi 65$.

C.W.L. :Continuous running Water Level
L.W.L. :Lowest running Water Level

SECTIONAL DRAWING		No.	No. A-11455-5
TYPE	Sewage Submersible Channel Impeller Pump	MODEL	80B21.5 -52/62



REQ. SPECIFICATION	

※ the wetted part

No.	DESCRIPTION	Q'TY	MATERIAL / NOTE	No.	DESCRIPTION	Q'TY	MATERIAL / NOTE
1	Cable	1	PVC Sheath	48	Screwed Flange	1	Gray Iron Casting
20	Pump Casing	1	Gray Iron Casting	52A	Upper Bearing	1	6204ZCC3
21	Impeller	1	Gray Iron Casting	52B	Lower Bearing	1	6305ZCC3
22	Suction Cover	1	Gray Iron Casting	53	Motor Protector	1	
23	Strainer Stand	1	Gray Iron Casting	54	Shaft	1	Stainless Steel 420J2(※)
25	Mechanical Seal	1	H-20A	55	Rotor	1	
26	Oil Seal	1	TC32488	56	Stator	1	
30	Oil Lifter	1	Plastic	60	Bearing Housing	1	Gray Iron Casting
35	Oil Plug	1	Stainless Steel 304	64	Motor Frame	1	Gray Iron Casting
36	Lubricant		Turbine Oil (ISO VG32)	72	Eye Bolt	1	Stainless Steel 304
37	Discharge Bend	1	Gray Iron Casting				
46	Air Release Valve	1	Nylon				