

NO. A-20118-2

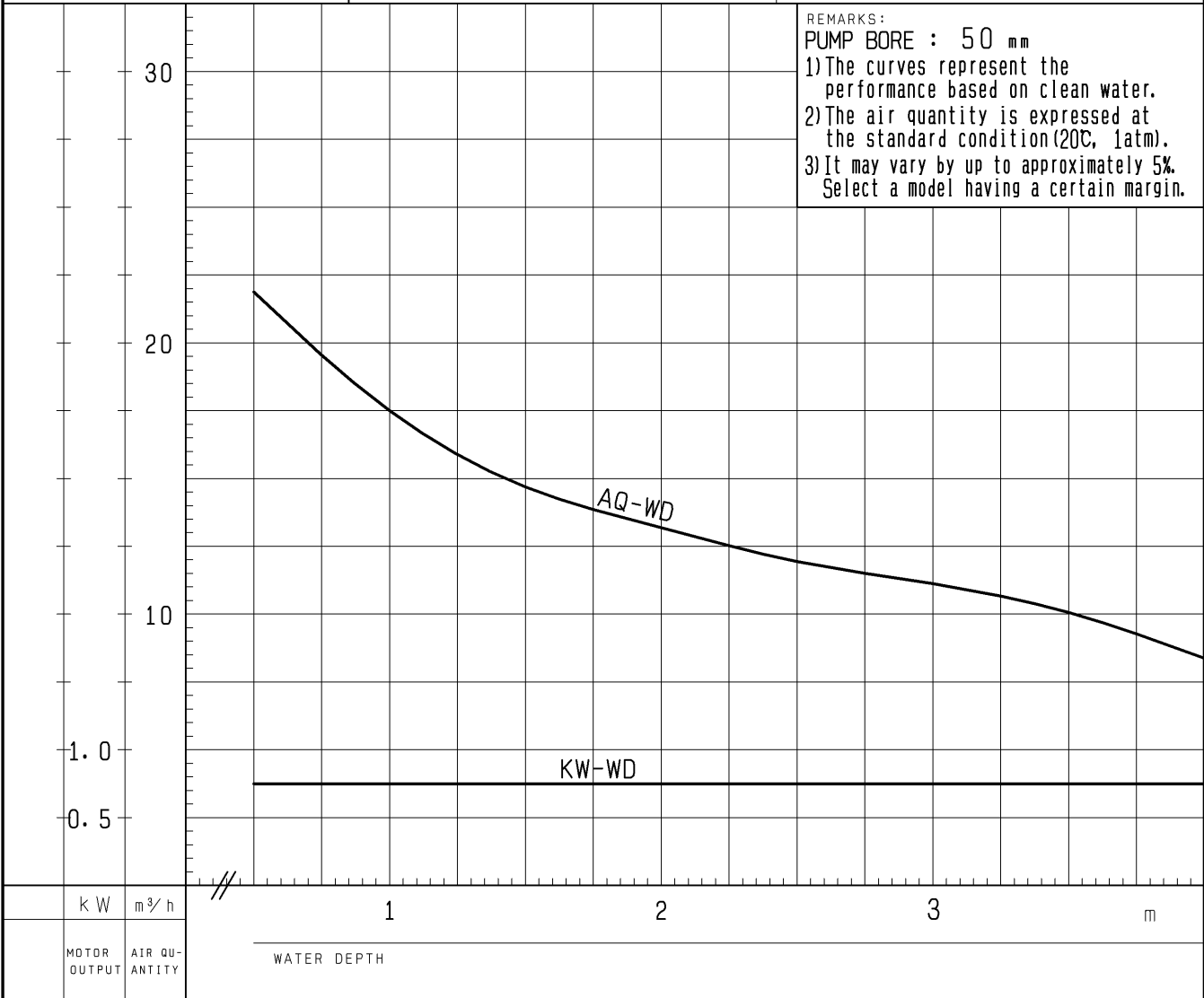
AERATOR PERFORMANCE CURVES

TYPE Submersible Self-Aspiration Jet Aerator	MODEL 8-BER4, TOS-8BER4	FREQUENCY 50 Hz
---	-------------------------	-----------------

CUSTOMER'S NAME _____

EQUIPMENT TITLE _____ NO. _____

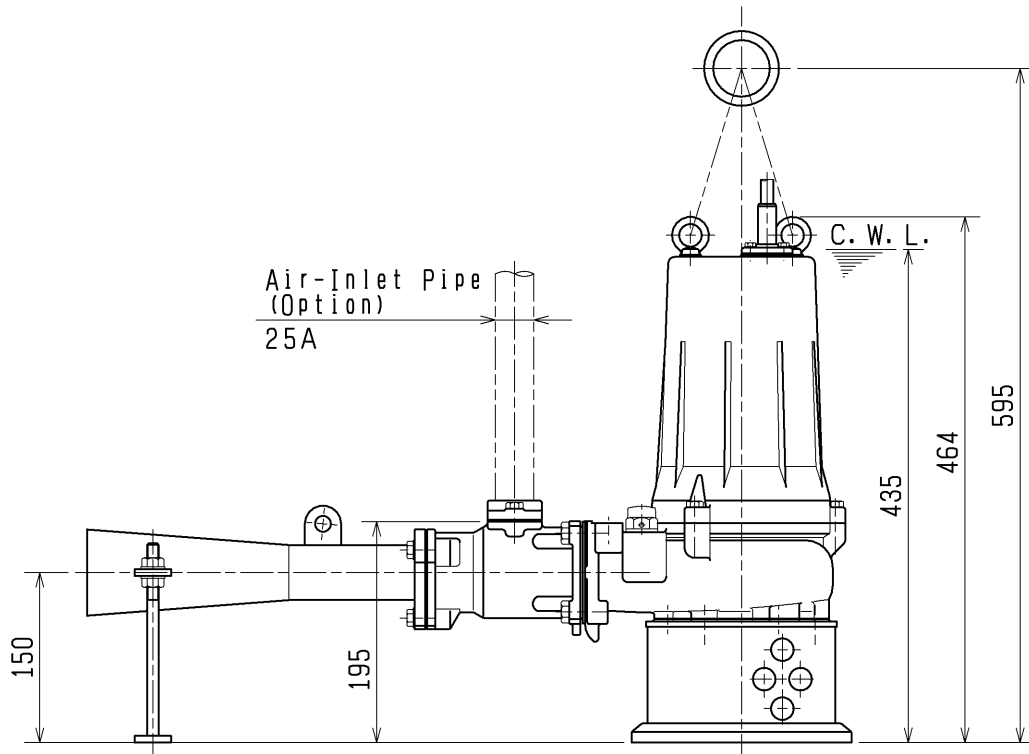
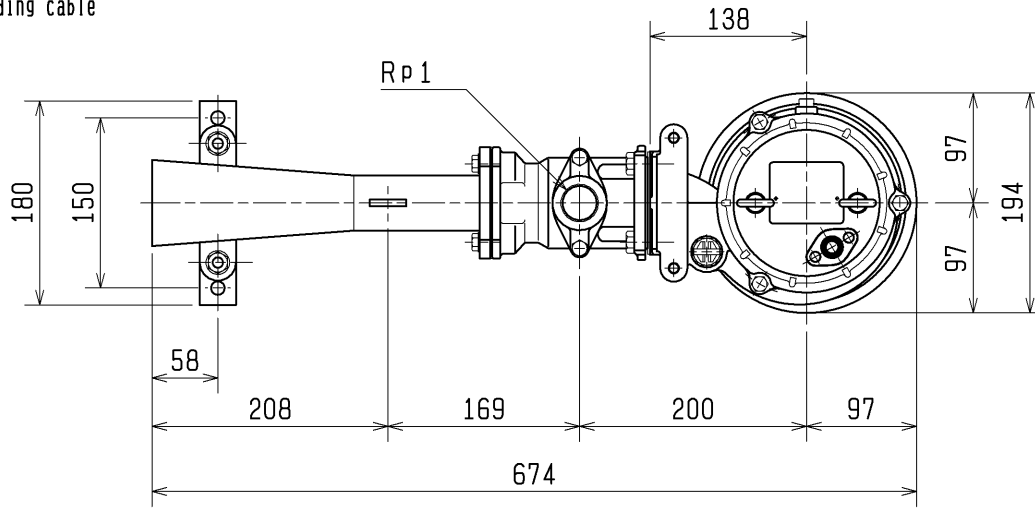
	STANDARD SPECIFICATIONS	REQUIRED SPECIFICATIONS
AIR INLET BORE	25 mm	mm
AIR QUANTITY	at 4 m 8 m ³ /h	at m m ³ /h
WATER DEPTH	Max. 4 m	Max. m
MOTOR OUTPUT	0.75 kW	kW
PHASE × VOLTAGE	3 φ × V	φ × V
CURRENT	A	A
POLES / REVOLUTION	2 P / S. S. 3000 min ⁻¹	P / min ⁻¹
STARTING METHOD	DIRECT ON LINE	
INSULATION CLASS	E	



TSURUMI MFG. CO., LTD.

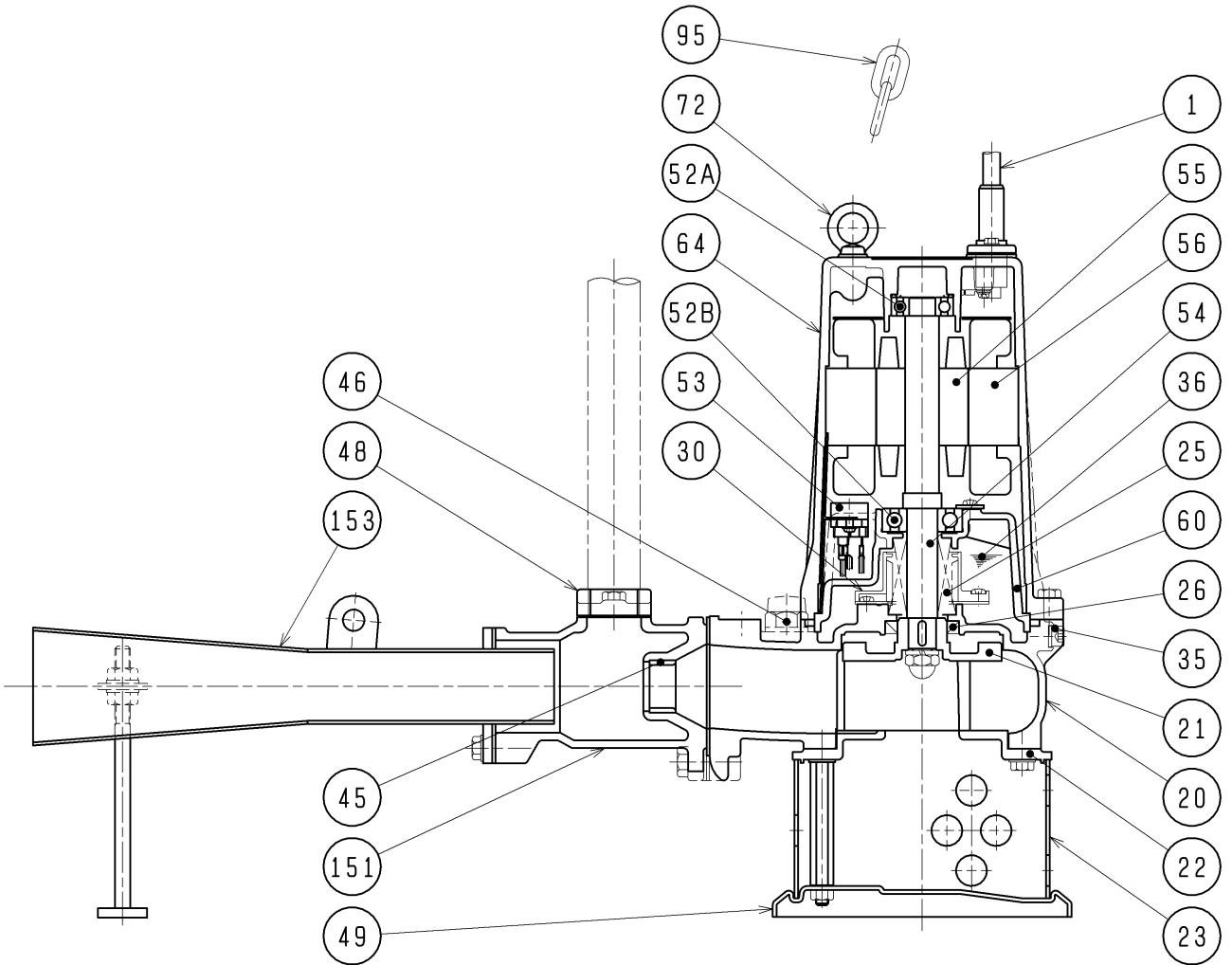
DIMENSION DRAWING		No.	No. A-20120-3
TYPE	Submersible Self-Aspiration Jet Aerator	MODEL	8-BER4

Approximate
Weight(*)
28kg
*excluding cable



C. W. L. :Continuous running Water Level

SECTIONAL DRAWING		No.	No. A-17087-3
TYPE	Submersible Self-Aspiration Jet Aerator	MODEL	8-BER4



REQ. SPECIFICATION	

No.	DESCRIPTION	Q'TY	MATERIAL / NOTE	No.	DESCRIPTION	Q'TY	MATERIAL / NOTE
1	Cable	1	PVC Sheath	52A	Upper Bearing	1	6203ZC3
20	Pump Casing	1	Gray Iron Casting	52B	Lower Bearing	1	6304ZC3
21	Impeller	1	Gray Iron Casting	53	Motor Protector	1	
22	Suction Cover	1	Gray Iron Casting	54	Shaft	1	Stainless Steel 420J2
23	Strainer	1	Steel Plate	55	Rotor	1	
25	Mechanical Seal	1	H-20A	56	Stator	1	
26	Oil Seal	1	TC32488	60	Bearing Housing	1	Gray Iron Casting
30	Oil Lifter	1	Plastic	64	Motor Frame	1	Gray Iron Casting
35	Oil Plug	1	Stainless Steel 304	72	Eye Bolt	2	Stainless Steel 304
36	Lubricant		Turbine Oil (ISO VG32)	95	Chain	1	Structure Steel, 5m
45	Nozzle Ring	1	Stainless Iron Casting	151	Air-Inlet Casing	1	Gray Iron Casting
46	Air Release Valve	1	Nylon	153	Diffuser	1	Structure Steel (Nylon Coated)
48	Screwed Flange	1	Gray Iron Casting				
49	Bottom Plate	1	Steel Sheet				