

NO. A-20438-2

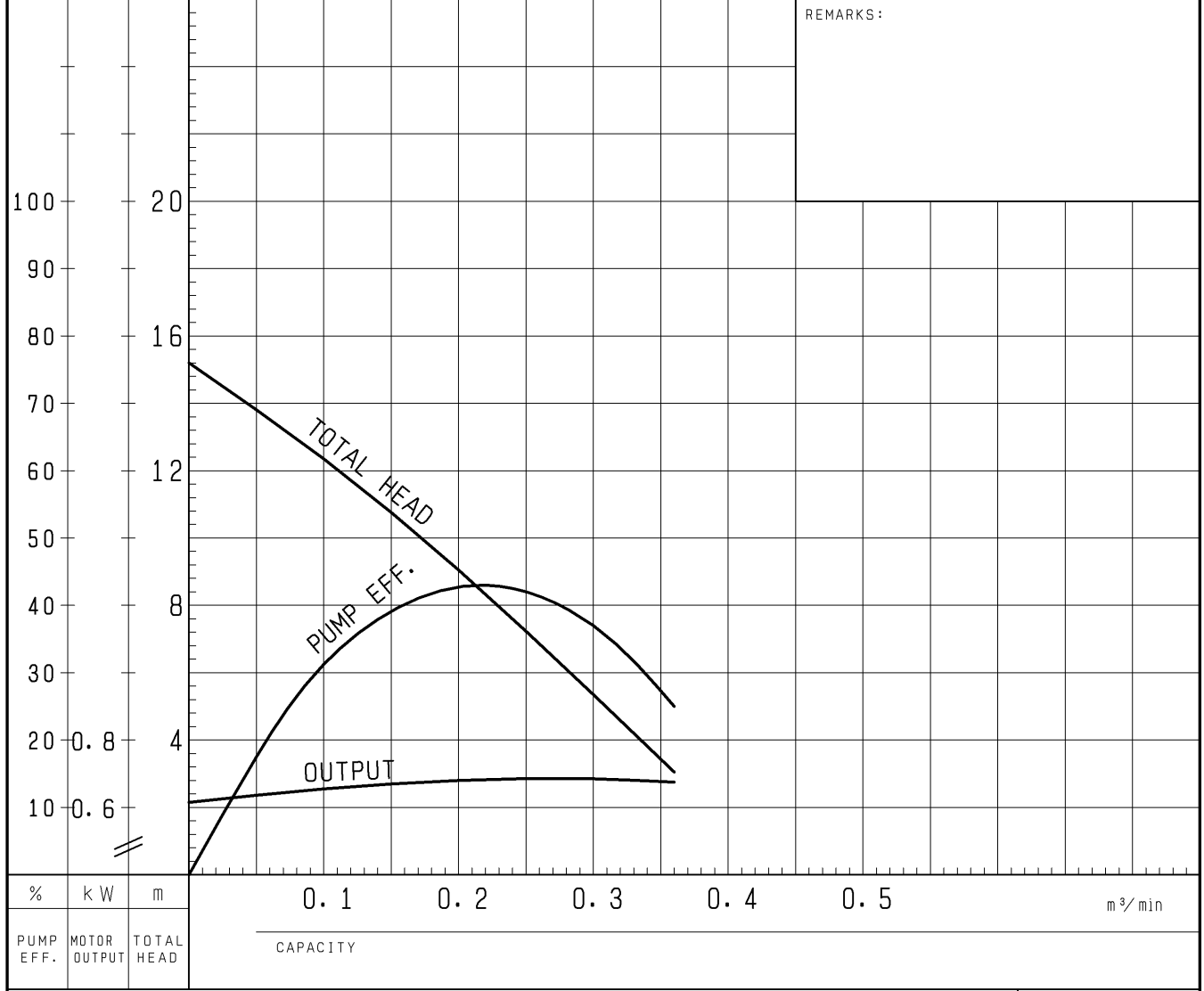
# PUMP PERFORMANCE CURVES

|   |  |                    |
|---|--|--------------------|
| TYPE<br>Submersible<br>Sewage & Wastewater Pump | MODEL<br>50B(A) 2.75S -52<br>TOS50B(A) 2.75S -52 | FREQUENCY<br>50 Hz |
|---|--|--------------------|

CUSTOMER'S NAME \_\_\_\_\_

EQUIPMENT TITLE \_\_\_\_\_ NO. \_\_\_\_\_

|                    | STANDARD SPECIFICATIONS            | REQUIRED SPECIFICATIONS |
|--------------------|------------------------------------|-------------------------|
| DISCHARGE BORE     | 50 mm                              | mm                      |
| TOTAL HEAD         | MAX. 15.2 m                        | m                       |
| CAPACITY           | MAX. 0.36 m <sup>3</sup> /min      | m <sup>3</sup> /min     |
| MOTOR OUTPUT       | 0.75 kW                            | kW                      |
| PHASE × VOLTAGE    | 1 φ × V                            | φ × V                   |
| CURRENT            | A                                  | A                       |
| POLES / REVOLUTION | 2 P / S. S. 3000 min <sup>-1</sup> | P / min <sup>-1</sup>   |
| STARTING METHOD    | CAPACITOR START                    |                         |
| INSULATION CLASS   | E                                  |                         |

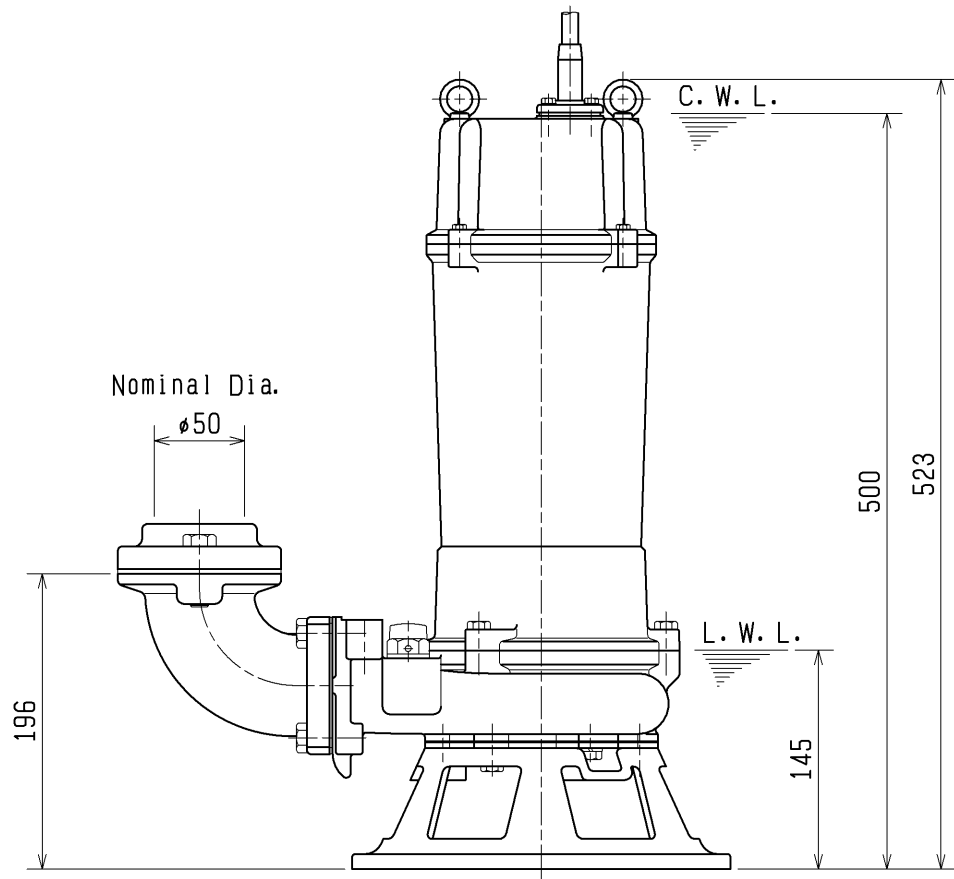
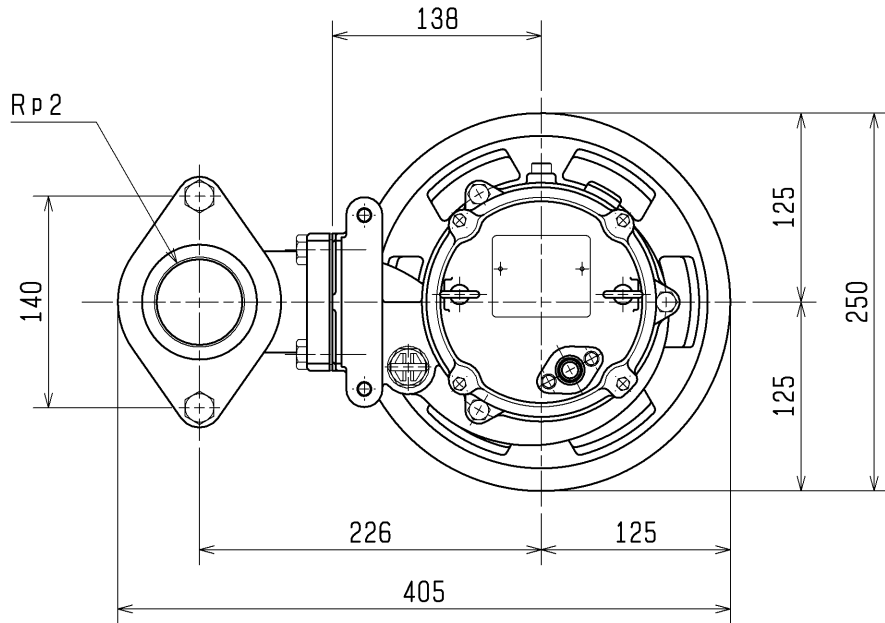


TSURUMI MFG. CO., LTD.

|                   |   |       |                 |
|-------------------|---|-------|-----------------|
| DIMENSION DRAWING |   | No.   | No. A-20440-2   |
| TYPE              | Submersible<br>Sewage & Wastewater Pump | MODEL | 50B2.75S -52/62 |

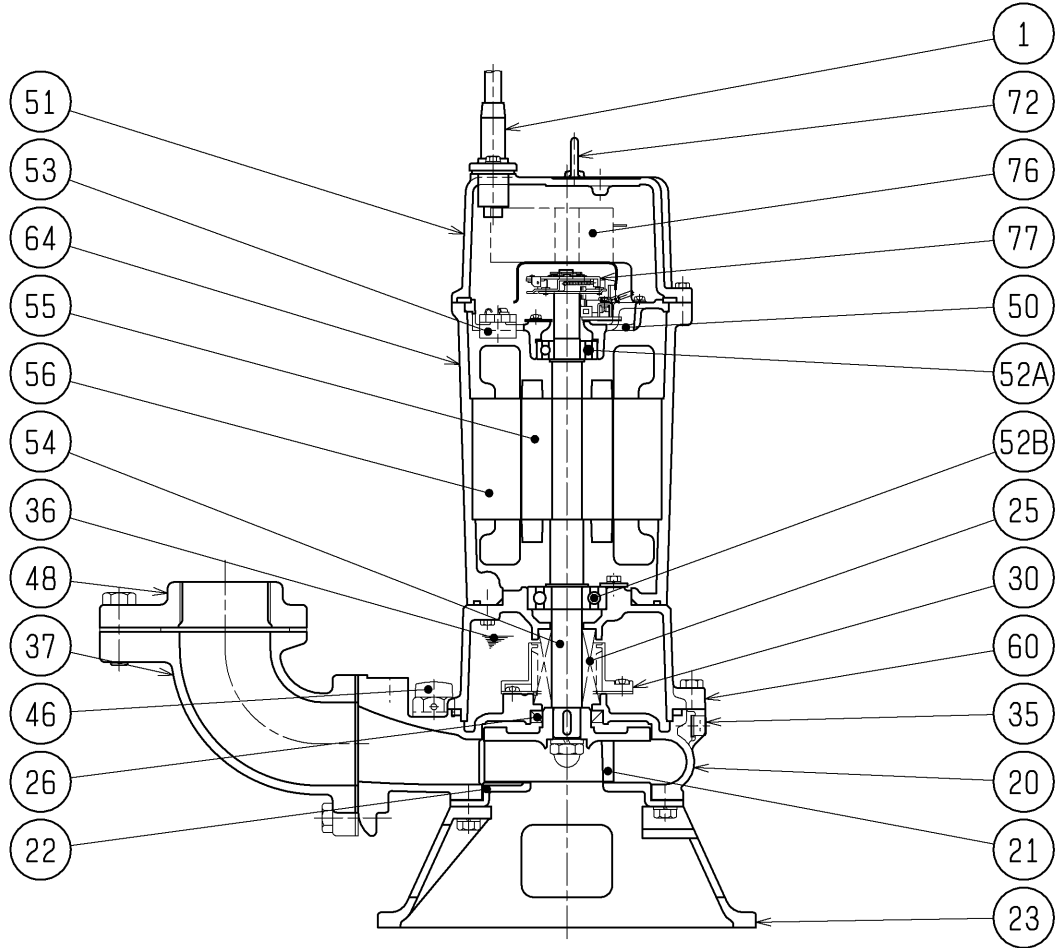
|                       |
|-----------------------|
| Approximate Weight(※) |
| 32kg                  |

※excluding cable



C.W.L.:Continuous running Water Level  
L.W.L.:Lowest running Water Level

|                          |   |       |                 |
|--------------------------|---|-------|-----------------|
| <b>SECTIONAL DRAWING</b> |   | No.   | No. A-20442-2   |
| TYPE                     | Submersible<br>Sewage & Wastewater Pump | MODEL | 50B2.75S -52/62 |



| REQ. SPECIFICATION |
|--------------------|
|                    |
|                    |
|                    |

| No. | DESCRIPTION       | Q'TY | MATERIAL / NOTE        | No. | DESCRIPTION        | Q'TY | MATERIAL / NOTE       |
|-----|-------------------|------|------------------------|-----|--------------------|------|-----------------------|
| 1   | Cable             | 1    | PVC Sheath             | 51  | Head Cover         | 1    | Gray Iron Casting     |
| 20  | Pump Casing       | 1    | Gray Iron Casting      | 52A | Upper Bearing      | 1    | 6203ZC3               |
| 21  | Impeller          | 1    | Gray Iron Casting      | 52B | Lower Bearing      | 1    | 6304ZC3               |
| 22  | Suction Cover     | 1    | Gray Iron Casting      | 53  | Motor Protector    | 1    |                       |
| 23  | Strainer Stand    | 1    | Gray Iron Casting      | 54  | Shaft              | 1    | Stainless Steel 420J2 |
| 25  | Mechanical Seal   | 1    | H-20A                  | 55  | Rotor              | 1    |                       |
| 26  | Oil Seal          | 1    | TC32488                | 56  | Stator             | 1    |                       |
| 30  | Oil Lifter        | 1    | Plastic                | 60  | Bearing Housing    | 1    | Gray Iron Casting     |
| 35  | Oil Plug          | 1    | Stainless Steel 304    | 64  | Motor Frame        | 1    | Gray Iron Casting     |
| 36  | Lubricant         |      | Turbine Oil (ISO VG32) | 72  | Eye Bolt           | 2    | Stainless Steel 304   |
| 37  | Discharge Bend    | 1    | Gray Iron Casting      | 76  | Capacitor          | 1    |                       |
| 46  | Air Release Valve | 1    | Nylon                  | 77  | Centrifugal Switch | 1    |                       |
| 48  | Screwed Flange    | 1    | Gray Iron Casting      |     |                    |      |                       |
| 50  | Motor Bracket     | 1    | Gray Iron Casting      |     |                    |      |                       |