

NO. A-17790-1

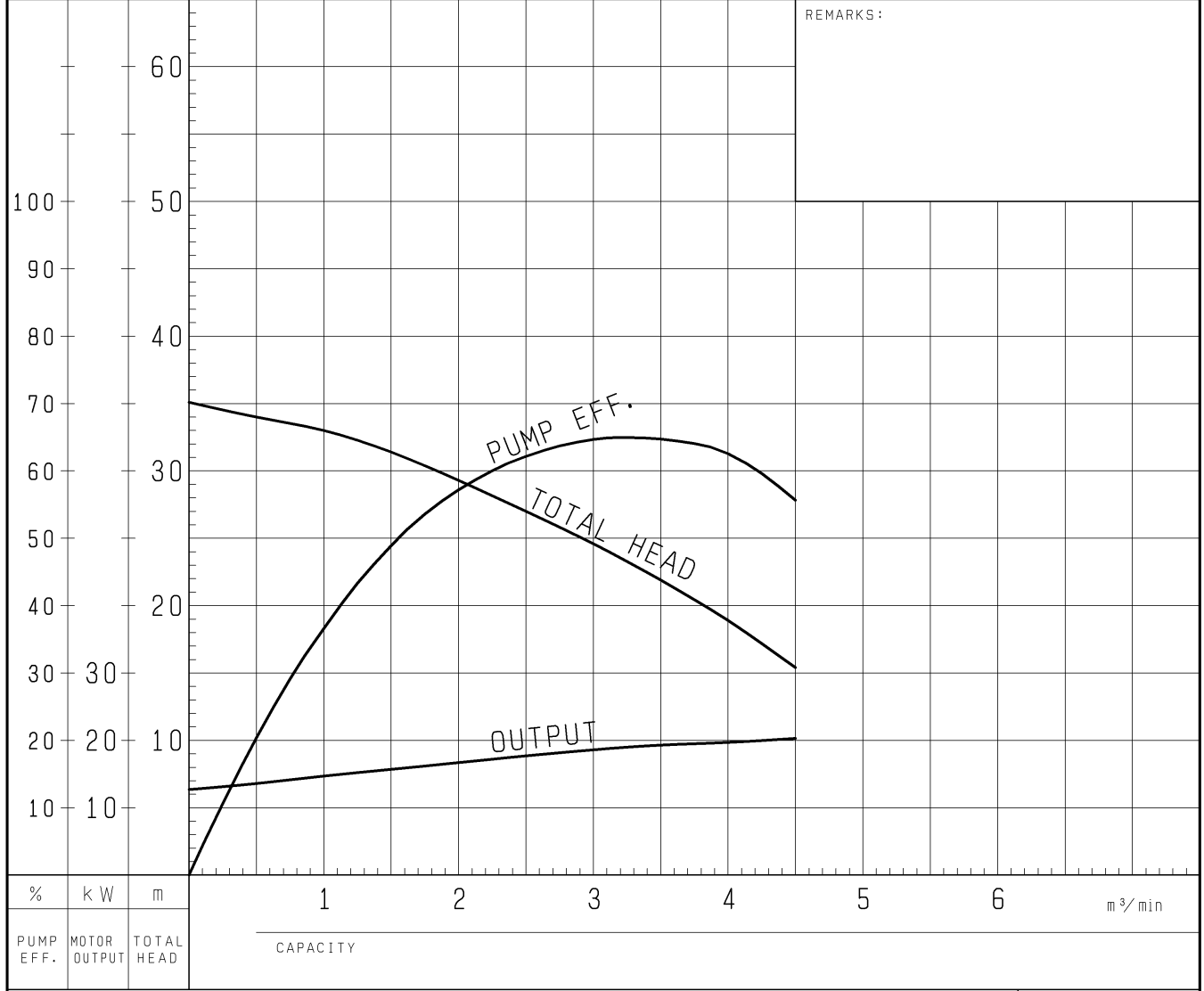
PUMP PERFORMANCE CURVES

TYPE Sewage Submersible Channel Impeller Pump	MODEL 150B422 -55 TOS150B422 -55	FREQUENCY 50 Hz
--	-------------------------------------	-----------------

CUSTOMER'S NAME _____

EQUIPMENT TITLE _____ NO. _____

	STANDARD SPECIFICATIONS	REQUIRED SPECIFICATIONS
DISCHARGE BORE	150 mm	mm
TOTAL HEAD	27 m	m
CAPACITY	2.5 m ³ /min	m ³ /min
MOTOR OUTPUT	22 kW	kW
PHASE x VOLTAGE	3 ϕ x V	ϕ x V
CURRENT	A	A
POLES / REVOLUTION	4 P / s. s. 1500 min ⁻¹	P / min ⁻¹
STARTING METHOD	STAR-DELTA	
INSULATION CLASS	F	

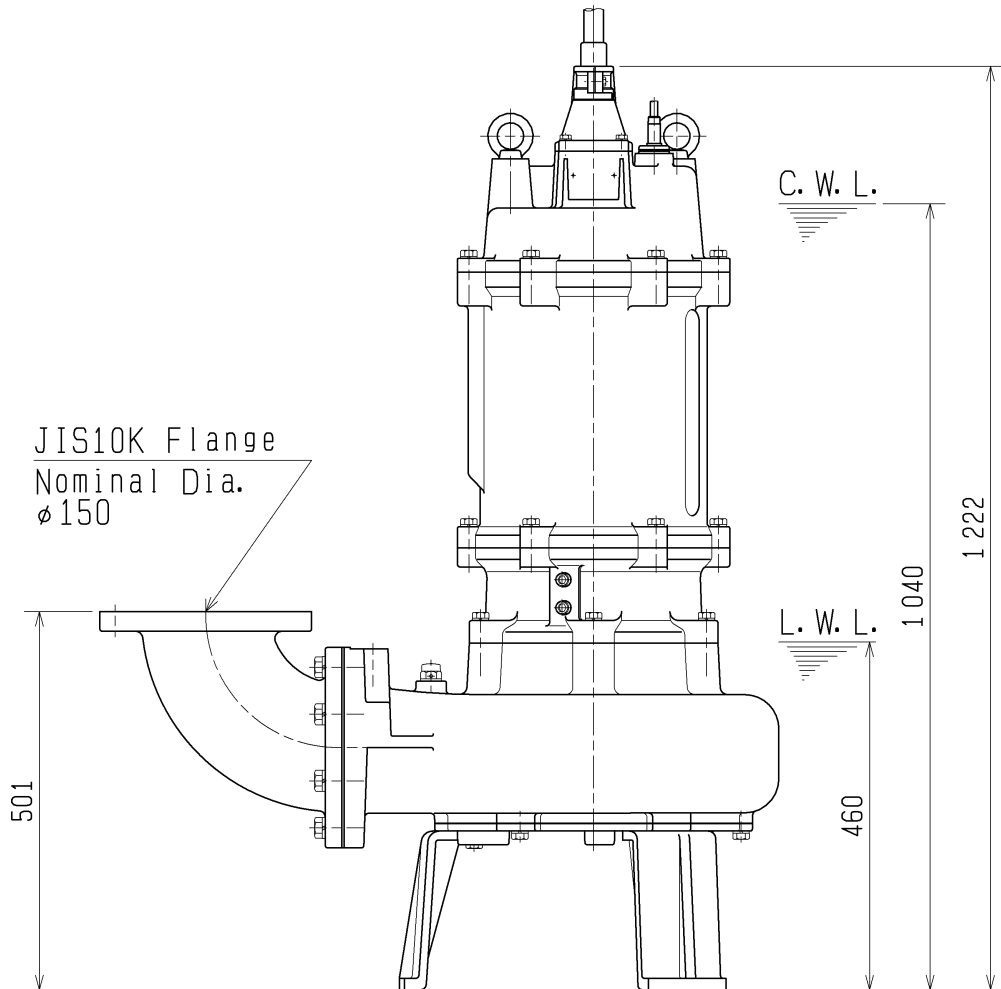
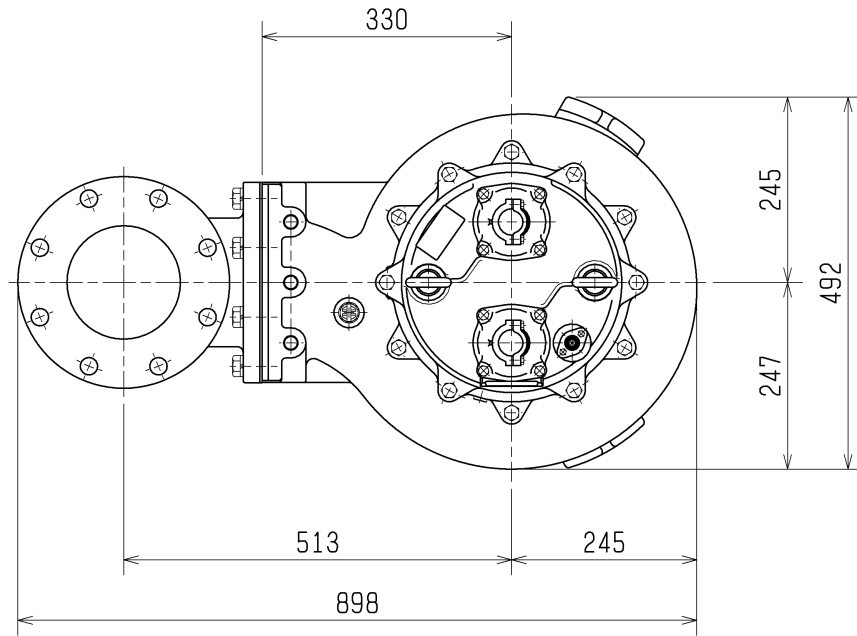


TSURUMI MFG. CO., LTD.

DIMENSION DRAWING		No.	No. A-17796-1
TYPE	Sewage Submersible Channel Impeller Pump	MODEL	150B422 -55/65

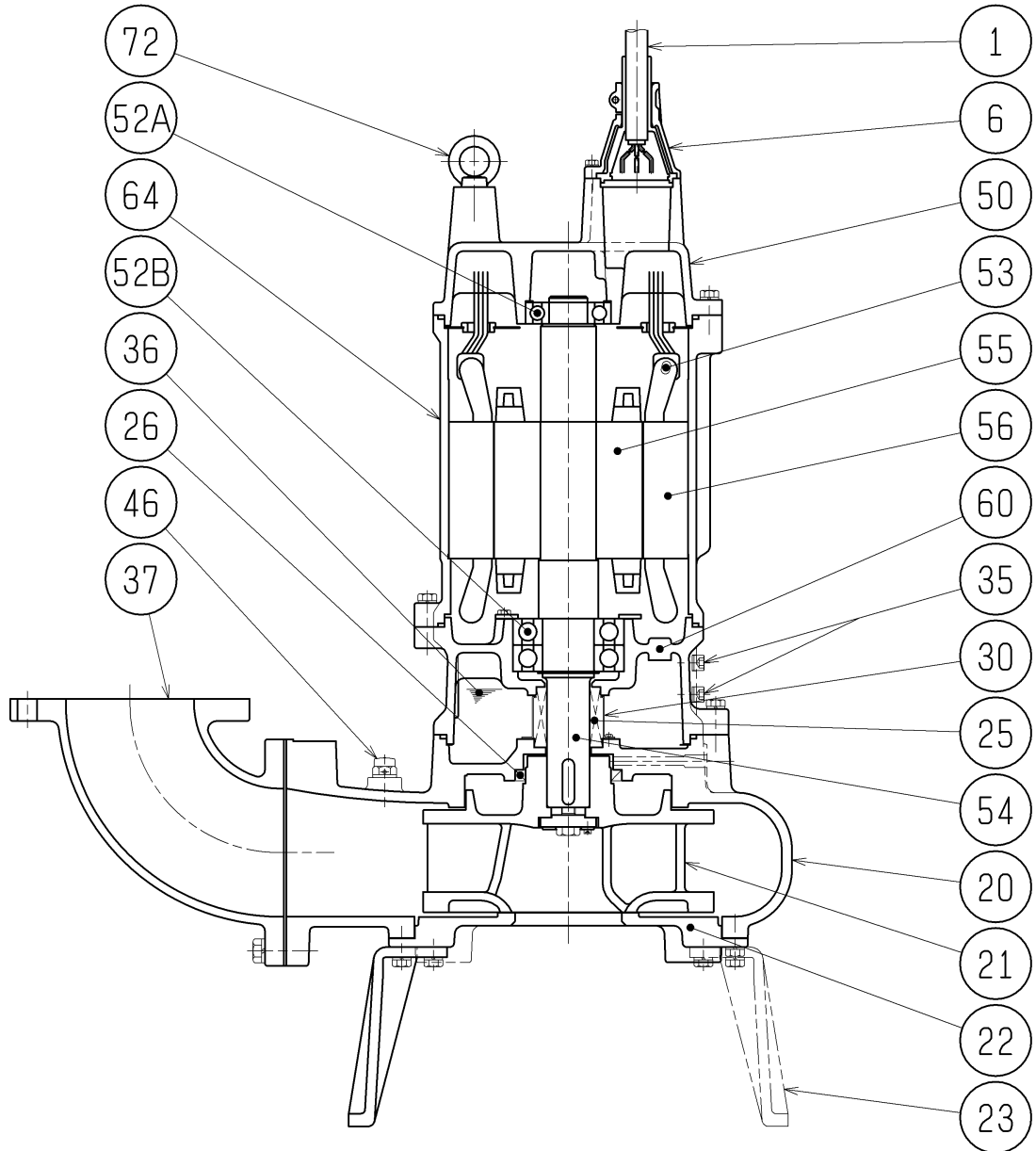
Approximate Weight (※)
327kg

※excluding cable



C.W.L. :Continuous Running Water Level
 L.W.L. :Lowest Running Water Level

SECTIONAL DRAWING		No.	No. A-17799-2
TYPE	Sewage Submersible Channel Impeller Pump	MODEL	150B422 -55/65



REQ. SPECIFICATION

No.	DESCRIPTION	Q'TY	MATERIAL / NOTE	No.	DESCRIPTION	Q'TY	MATERIAL / NOTE
1	Cabtyre Cable	2	Chloroprene Sheath (For the Power)	46	Air Release Valve	1	Nylon
		1	PVC Sheath (For the Control)	50	Motor Bracket	1	Gray Iron Casting
6	Stuffing Box	2	Gray Iron Casting	52A	Upper Bearing	1	6309ZZC3
20	Pump Casing	1	Gray Iron Casting	52B	Lower Bearing	1	6312ZZD2C3
21	Impeller	1	Gray Iron Casting	53	Motor Protector	3	
22	Suction Cover	1	Gray Iron Casting	54	Shaft	1	Stainless Steel 420J2
23	Stand	3	Ductile Iron Casting	55	Rotor	1	
25	Mechanical Seal	1	H-50TX	56	Stator	1	
26	Oil Seal	1	TC10012513	60	Bearing Housing	1	Gray Iron Casting
30	Oil Lifter	1	Steel Sheet	64	Motor Frame	1	Gray Iron Casting
35	Oil Plug	2	Stainless Steel 304	72	Eye Bolt	2	Stainless Steel
36	Lubricant		Turbine Oil (ISO VG32)				
37	Discharge Bend	1	Gray Iron Casting				