

NO. A-23834-1

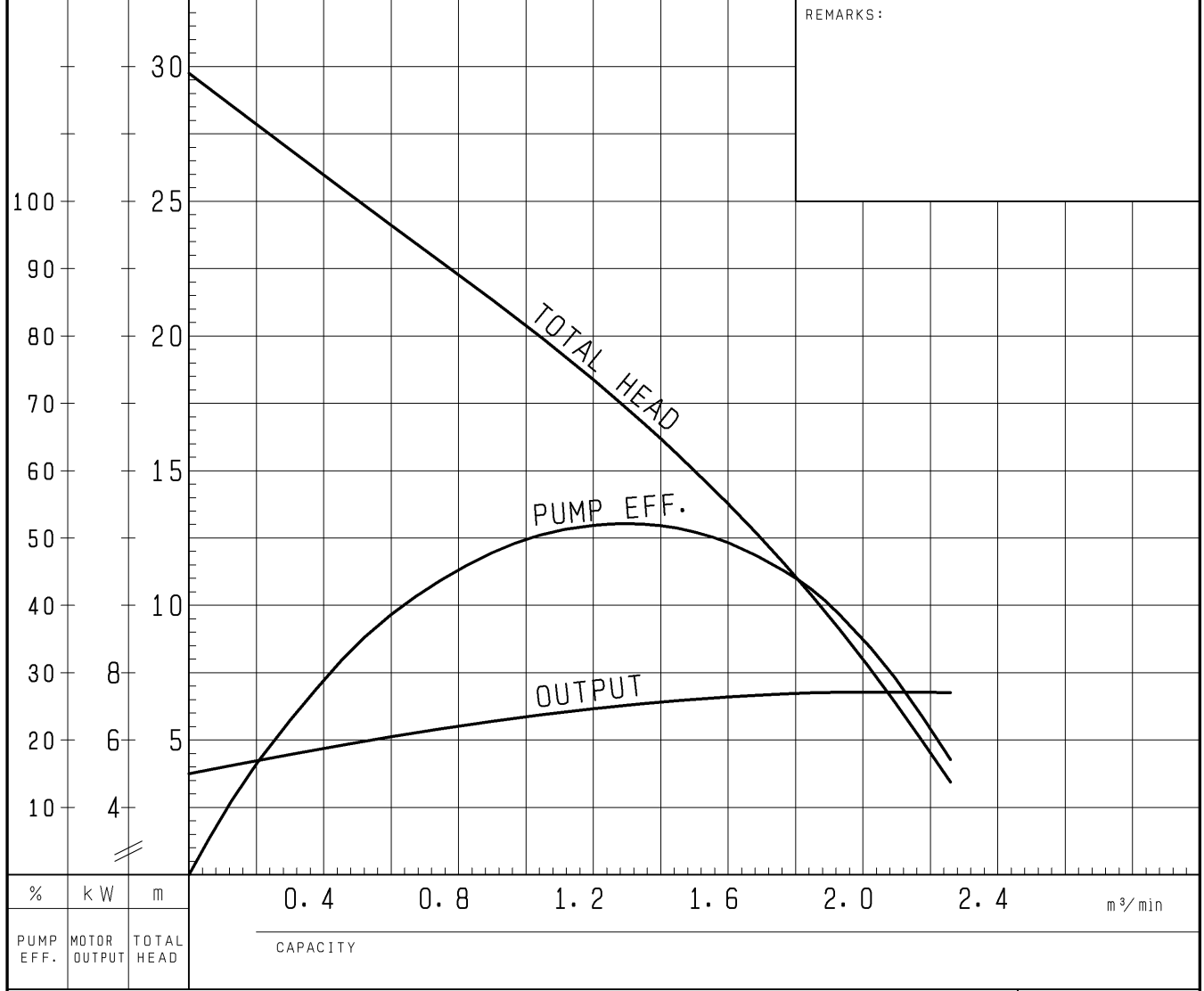
PUMP PERFORMANCE CURVES

TYPE Submersible Sewage & Wastewater Pump	MODEL 100B47.5 -56 TOS100B47.5 -56	FREQUENCY 50 Hz
---	--	--------------------

CUSTOMER'S NAME _____

EQUIPMENT TITLE _____ NO. _____

	STANDARD SPECIFICATIONS	REQUIRED SPECIFICATIONS
DISCHARGE BORE	100 mm	mm
TOTAL HEAD	20 m	m
CAPACITY	1.0 m ³ /min	m ³ /min
MOTOR OUTPUT	7.5 kW	kW
PHASE × VOLTAGE	3 φ × V	φ × V
CURRENT	A	A
POLES / REVOLUTION	4 P / S. S. 1500 min ⁻¹	P / min ⁻¹
STARTING METHOD	DIRECT ON LINE	
INSULATION CLASS	F	

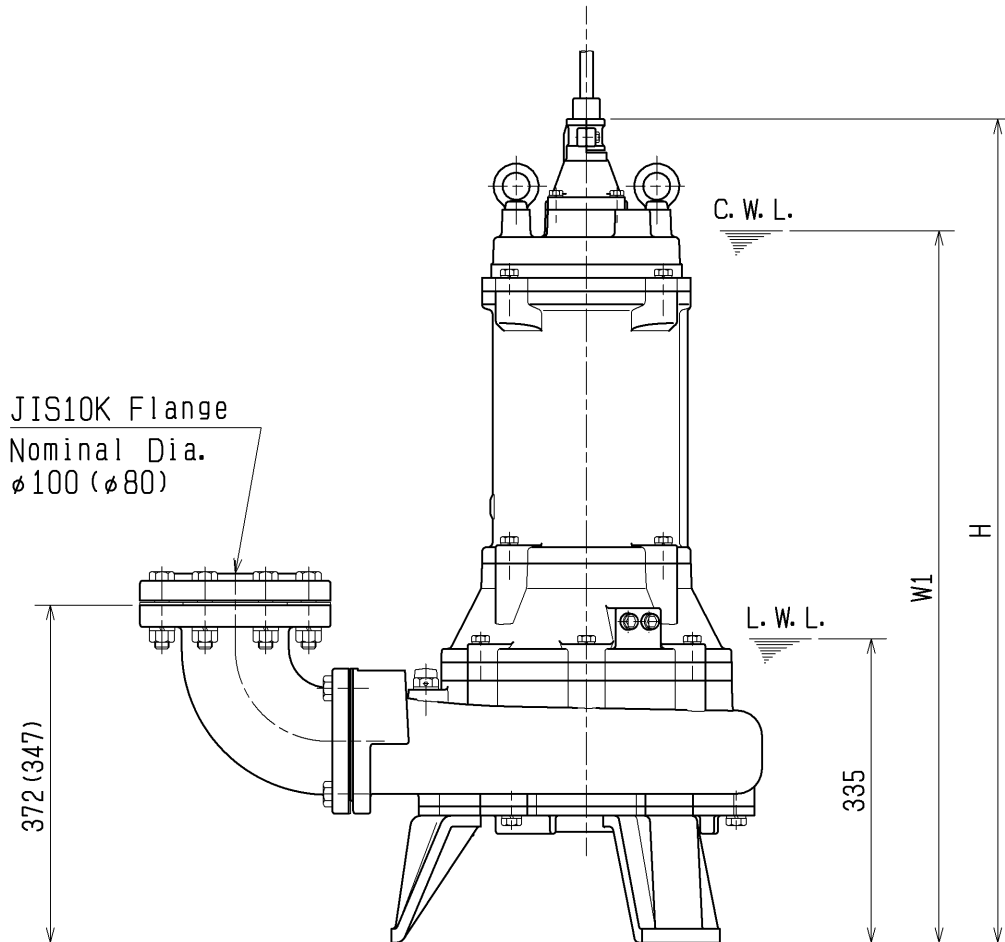
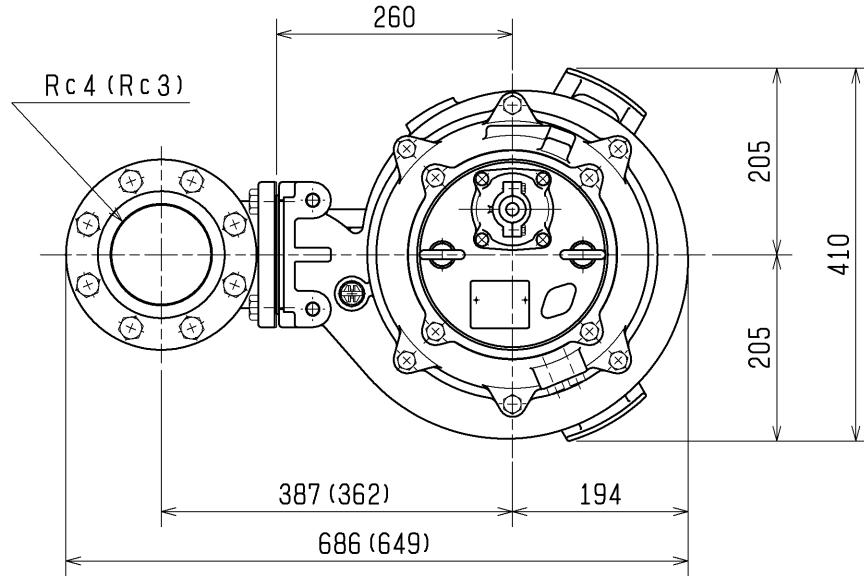


TSURUMI MFG. CO., LTD.

DIMENSION DRAWING		No.	No.	A-23840-1
TYPE	Submersible Sewage & Wastewater Pump	MODEL	100B45.5 -56/66 100B47.5 -56/66	

MODEL	W1	H	Approximate Weight (※)
100B45.5-56/66	785	908	140kg
100B47.5-56/66	805	929	154kg

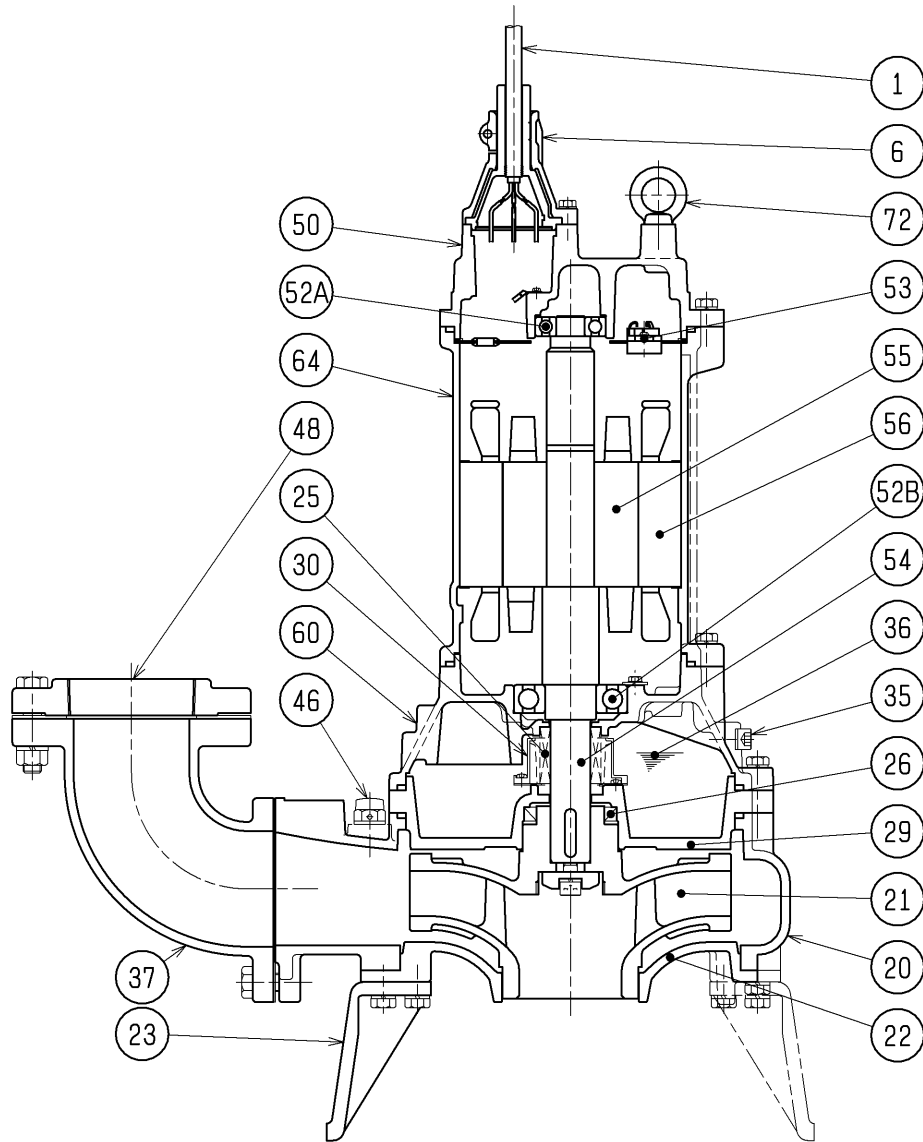
※excluding cable



The figure in () shows the dimensions of discharge Bore at Nominal Dia $\phi 80$.

C. W. L. :Continuous running Water Level
L. W. L. :Lowest running Water Level

SECTIONAL DRAWING		No.	No.	A-23842-1
TYPE	Submersible Sewage & Wastewater Pump	MODEL	100B45.5 -56/66 100B47.5 -56/66	



REQ. SPECIFICATION	

	*1
5.5kW	6305ZZC3
7.5kW	6306ZZC3

No.	DESCRIPTION	QTY	MATERIAL / NOTE	No.	DESCRIPTION	QTY	MATERIAL / NOTE
1	Cable	1	Chloroprene Sheath	48	Screwed Flange	1	Gray Iron Casting
6	Stuffing Box	1	Gray Iron Casting	50	Motor Bracket	1	Gray Iron Casting
20	Pump Casing	1	Gray Iron Casting	52A	Upper Bearing	1	*1
21	Impeller	1	Gray Iron Casting	52B	Lower Bearing	1	6309ZZC3
22	Suction Cover	1	Gray Iron Casting	53	Motor Protector	1	
23	Stand	3	Gray Iron Casting	54	Shaft	1	Stainless Steel 420J2
25	Mechanical Seal	1	H-35A	55	Rotor	1	
26	Oil Seal	1	TC608212	56	Stator	1	
29	Oil Casing	1	Gray Iron Casting	60	Bearing Housing	1	Gray Iron Casting
30	Oil Lifter	1	Plastic	64	Motor Frame	1	Gray Iron Casting
35	Oil Plug	2	Stainless Steel 304	72	Eye Bolt	2	Structure Steel
36	Lubricant		Turbine Oil (ISO VG32)				
37	Discharge Bend	1	Gray Iron Casting				
46	Air Release Valve	1	Nylon				