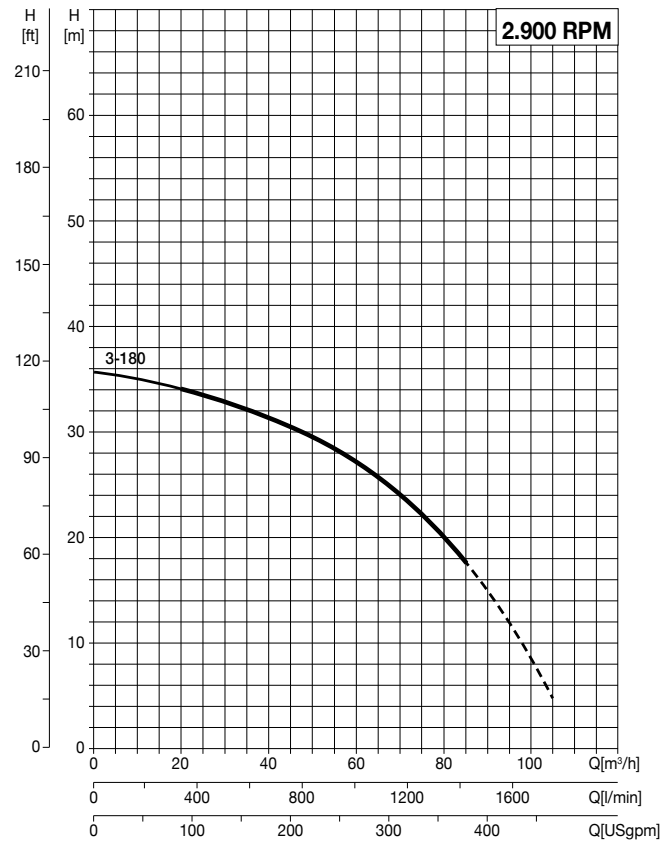


JS 3-180 G10 - Cod. 10046209



Construction features

Weight: 54 kg / 120 lb

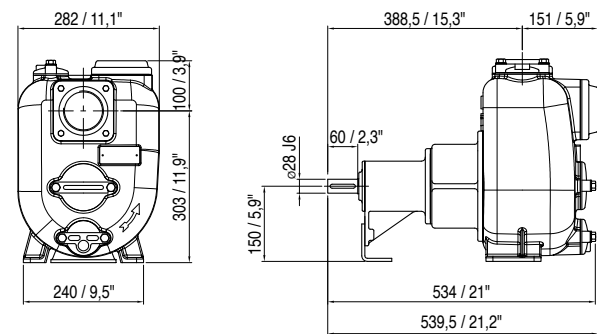
High resistance to water containing sand, mud with solids in suspension:

- Casing and impeller in **ductile iron**
- Mechanical seal in **silicon carbide-nitrile** rubber, grease lubricated
- **Rubber lined cast iron** wear plate

Three vane open impeller, with solids handling up to **27 mm / 1,1"**

3" BSP threaded ports - replaceable

Nominal speed: 2900 rpm



Accessories on request

Couplings	Galvanized spherical couplings		10013316	M80SX3" coupling
Suction pipes	Flexible hose in PVC with steel spiral 4 - 5 - 6 m / 13 - 16 - 20 ft (standard length)		10013550	A80X4S flexible hose
			10013551	A80X5S flexible hose
			10013552	A80X6S flexible hose
			10013506	A80X4S suction hose with strainer
			10013507	A80X5S suction hose with strainer
Discharge pipes	PVC flat hose Male/female "Jamaica", 10 m / 33 ft (standard length)		10013631	H80X10S 8 BAR flat hose
			10019262	80SX4 discharge pipe
	Galvanized steel pipe (PN10) 4 - 5,8 - 6,2 m / 13 - 19 - 20,5 ft (standard length)		10013470	80SX5,8 discharge pipe
			10048925	80SX6,2 discharge pipe
Elbows	Galvanized steel 90° elbow		10013405	80S 90° elbow
Strainers	Galvanized steel strainer		10013228	80S strainer